

Lightology

lightology.com
866-954-4489
05-21-26

Project: _____

Company: _____

Location: _____ Fixture Type: _____

SPEC #: **HAD21598**

Approved On: _____ Approved By: _____

B1 120V Aluminum Bullyte

By Hadco by Signify

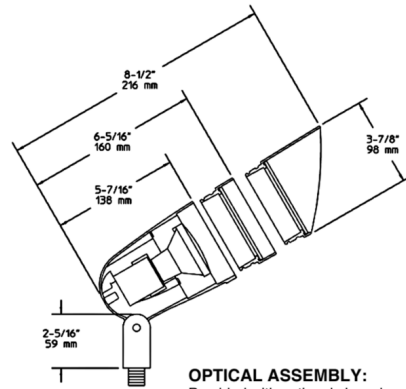


Description

The B1 Bullyte features a die-cast aluminum body with fully adjustable swivel arm and vibration proof locking teeth. Electrostatically applied thermoset polyester powder coat finish available in Black or Bronze. Fixture is pre-wired with 18AWG ground wires. .50 inch NPS male threads to screw onto accessory mounting stake or junction box, sold separately. Note: Mounting accessory and optional shroud and louver accessory sold separately.



Shown in black



Specifications

COLOR	N/A
BODY FINISH	Black
WATTAGE	100W
DIMMER	Standard 120V
DIMENSIONS	3.9"W x 5.4"H
BULB NOT INCLUDED	1 x PAR20/Medium (E26)/100W/120V Halogen
OTHER BULB OPTIONS	1 x PAR20/Medium (E26)/120V LED



CLICK TO VIEW PRODUCT

Notes: