

# Lightology

lightology.com  
866-954-4489  
07-11-26

Project: \_\_\_\_\_

Company: \_\_\_\_\_

Location: \_\_\_\_\_ Fixture Type: \_\_\_\_\_

SPEC #: **EDG223428**

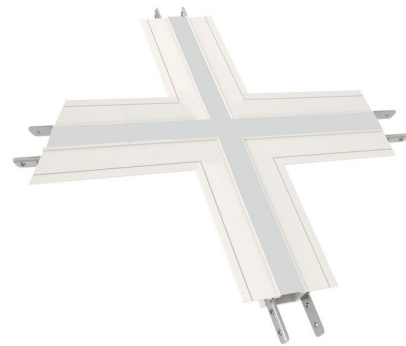
Approved On: \_\_\_\_\_ Approved By: \_\_\_\_\_

## Truline .5A X Shaped Channel Connector By PureEdge Lighting

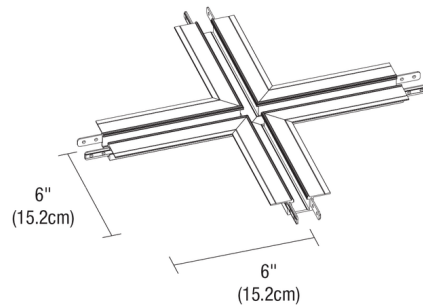


### Description

X Shaped Channel Connector designed for use with PureEdge Lighting TruLine .5A Plaster In LED System. LED strip bends on the side within the connector to create continuous illumination on a wall or ceiling. LED strip is installed on the side of the channel. Includes lens and channel joiners. LED strip and lens are sold separately.



Shown in white



### Specifications

COLOR	N/A
BODY FINISH	White
WATTAGE	N/A
DIMMER	N/A
DIMENSIONS	6"W x 6"D
BULB	N/A



CLICK TO VIEW PRODUCT

Notes: