



BRAND

WAC Lighting

DESCRIPTION

The Precision Multiples Invisible Trim is designed to sit flush with the ceiling for a clean, architectural look. Continuously wide aiming angle 0-45 degrees. Independently adjustable and retractable heads. LENS-16 accessories sold separately. Note: LED module included with housing. Requires WAC Lighting Precision recessed housing, sold separately.

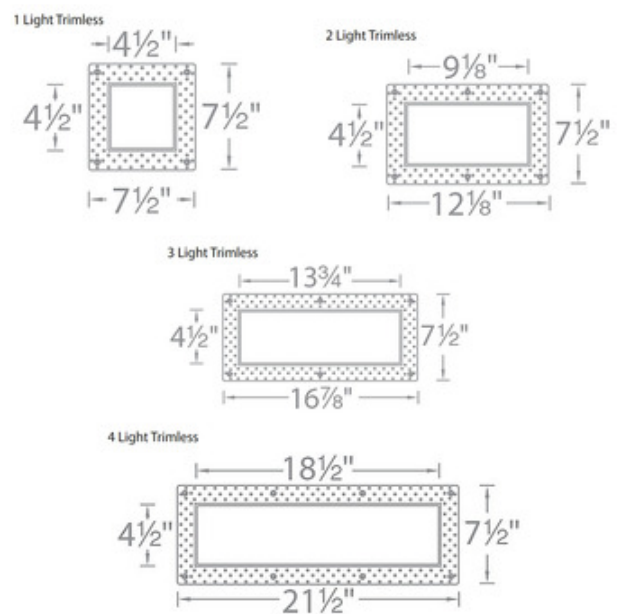


TRIM COLOR	N/A
BODY FINISH	White
WATTAGE	N/A
DIMMER	N/A
DIMENSIONS	7.5"W x 7.5"D
LAMP	N/A

Technical Information

FUNCTION	Adjustable Accent
CEILING TYPE	Drywall Trimless/Flush
APERTURE SHAPE	Square

SPEC # WAC228212



COMPANY	PROJECT	FIXTURE TYPE	APPROVED BY	DATE