



**BRAND**

WAC Lighting

**DESCRIPTION**

120V LED200 Vertical Step / Wall Light features a sleek profile with no visible hardware, designed to seamlessly blend into any architecture. These luminaires offer enhanced energy efficient functionality and optimized light output to adequately illuminate stairs, walls and walkways with little or no glare. Available with White 3000K, Amber, Red, or Blue color temperature options. Total power consumption of 3.9 watts. Replaceable LED module. Direct wiring, no driver needed. Fits into 2 X 4 junction box with minimum inside dimensions of 3 inch x 2 inch x 2 inch high. Includes bracket for j-box mount. ETL listed. IP66 rated. Die cast aluminum in White, Black, Bronze, Graphite, or Brushed Nickel, or marine grade Stainless Steel. Brushed Nickel finish for interior use only.



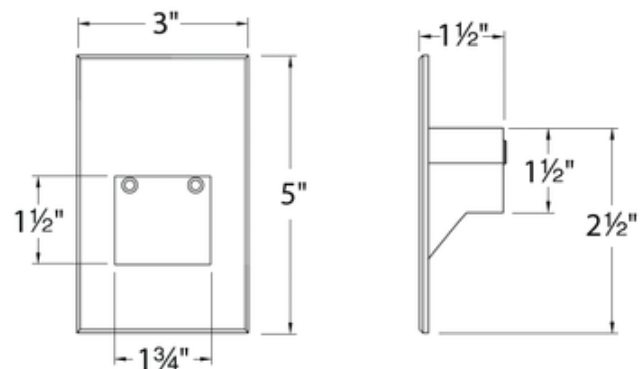
Shown in: White

<b>SHADE COLOR</b>	N/A
<b>BODY FINISH</b>	White
<b>WATTAGE</b>	3.9W
<b>DIMMER</b>	Low Voltage Electronic
<b>DIMENSIONS</b>	3"W x 5"H x 1.5"D
<b>LAMP</b>	1 x LED/3.9W/120V LED

*Technical Information*

<b>LUMINOUS FLUX</b>	63 lumens
<b>LUMENS/WATT</b>	16.15
<b>LAMP COLOR</b>	3000 K
<b>COLOR RENDERING</b>	85 CRI

**ITEM NUMBER** WAC228706



COMPANY	PROJECT	FIXTURE TYPE	APPROVED BY	DATE