



**BRAND**

Kichler

**DESCRIPTION**

120V Traditional Marine Lantern Path Light is available in an Olde Bronze finish. Accessories included: Wiring Kit and 9 inch Length Ground Spike. Accessories not included: Power Post and Surface Mounting Flange for junction box mounting. UL listed. Suitable for wet locations.

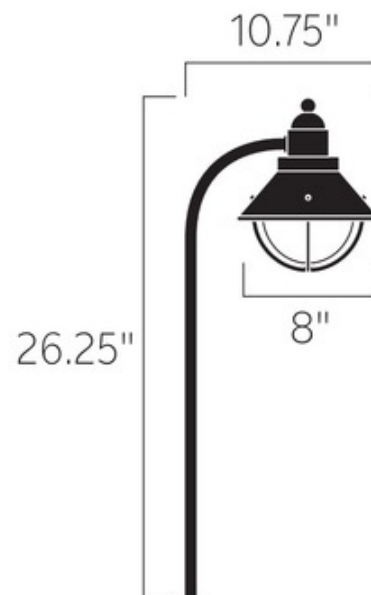


*Shown in: Olde Bronze*

<b>SHADE COLOR</b>	N/A
<b>BODY FINISH</b>	Olde Bronze
<b>WATTAGE</b>	25W
<b>DIMMER</b>	Standard 120V
<b>DIMENSIONS</b>	8"W x 26.25"H
<b>BULB NOT INCLUDED</b>	
<b>LAMP</b>	1 x A19/Medium (E26)/25W/120V Incandescent

**SPEC #**

KHR237310



COMPANY

PROJECT

FIXTURE TYPE

APPROVED BY

DATE