



BRAND

WAC Lighting

DESCRIPTION

Low Voltage 2.5 Inch Non-IC Remodel Housing is constructed of 20 gauge galvanized steel and includes an integral electronic transformer. Non-IC designation requires 3 inch minimum clearance on all sides of housing when insulation is present. Handles mounting surface up to .75 inch thick. Suitable for shallow joist installation. Requires one 12 volt GU5.3 MR16 halogen or LED HR-800 series trim. A complete fixture includes a housing and trim, sold separately.



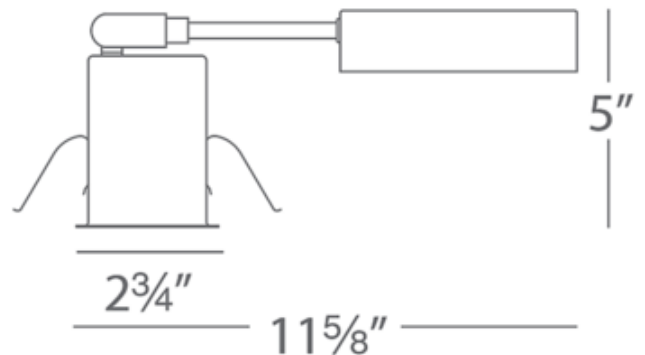
Shown in: Black

TRIM COLOR	N/A
BODY FINISH	Black
WATTAGE	7W
DIMMER	Low Voltage Electronic
DIMENSIONS	11.63"L x 2.75"W x 5"H
BULB NOT INCLUDED	
LAMP	1 x MR16/GU5.3 (bipin)/7W/12V LED

Technical Information

HOUSING TYPE	Remodel NON IC
HOUSING HEIGHT	5"
APERTURE SHAPE	Round

SPEC # WAC23948



COMPANY	PROJECT	FIXTURE TYPE	APPROVED BY	DATE