

Lightology

lightology.com
866-954-4489
04-25-26

Project: _____

Company: _____

Location: _____ Fixture Type: _____

SPEC #: **WAC23949**

Approved On: _____ Approved By: _____

Low Voltage 2.5 inch New Construction NIC Housing By WAC Lighting



Description

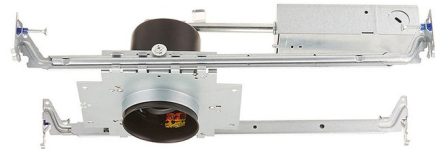
Low Voltage 2.5 Inch Non-IC New Construction Housing is constructed of 20 gauge galvanized steel and includes an integral electronic transformer. Non-IC designation requires a 3 inch minimum clearance on all sides of housing when insulation is present. Handles mounting surface up to .75 inch thick. Suitable for shallow joist installation. Requires one 12 volt GU5.3 MR16 halogen or LED HR-800 series trim. A complete fixture includes a housing and trim, sold separately.

Specifications

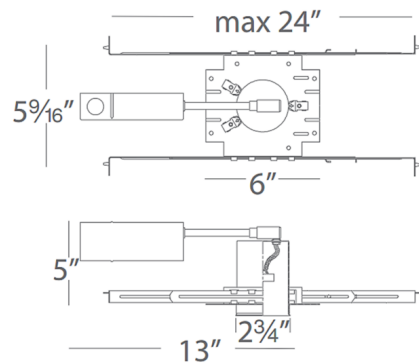
REFLECTOR/BAFFLE COLOR	N/A
BODY FINISH	Steel
WATTAGE	7W
DIMMER	Low Voltage Electronic
DIMENSIONS	24"L x 2.75"W x 5"H
BULB NOT INCLUDED	1 x MR16/GU5.3 (bipin)/7W/12V LED
COUNTRY OF ORIGIN	China

Technical Information

APERTURE SIZE	3.000"
HOUSING HEIGHT	5"
HOUSING TYPE	New Construction NON IC
CEILING TYPE	Drywall with Trim



Shown in steel



CLICK TO VIEW PRODUCT

Notes: