

# Lightology

lightology.com  
866-954-4489  
07-08-26

Project: \_\_\_\_\_  
 Company: \_\_\_\_\_  
 Location: \_\_\_\_\_ Fixture Type: \_\_\_\_\_  
 SPEC #: **WAC23968**  
 Approved On: \_\_\_\_\_ Approved By: \_\_\_\_\_

## Line Voltage 764 H/J/L Gimbal Track Head 120V By WAC Lighting



### Description

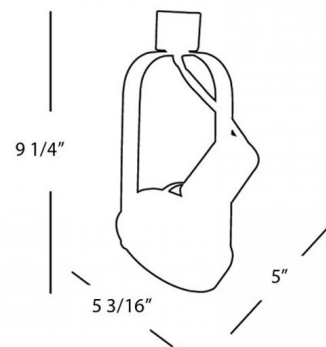
Line Voltage Gimbal Track Head is made of formed metal with powder coat finish in Black, Brushed Nickel, or White with a polycarbonate track adapter. Features a double yoke design for easy aiming. 350 degree horizontal rotation and 90 degree vertical tilt. Easily re-lamped from the front without the use of tools. Open back design for an industrial look. UL listed. Choice of H, J, or L Track System compatibility. Compatibility: L: WAC L Series and Lightolier Lytespan 120 volt single circuit track (Lightolier track by others) J: WAC J Series single circuit track and Juno 120 volt single circuit and two circuit track systems H: WAC H Series and Halo 120 volt single circuit line voltage track system (Halo track by others)

### Specifications

COLOR	N/A
BODY FINISH	Black
WATTAGE	50W
DIMMER	Standard 120V
DIMENSIONS	9.25"L x 5.2"W x 5"H
BULB NOT INCLUDED	1 x PAR30/Medium (E26)/50W/120V Halogen
OTHER BULB OPTIONS	1 x PAR30L/Medium (E26)/14W/120V LED 1 x BR30/Medium (E26)/14.6W/120V LED
COUNTRY OF ORIGIN	China



Shown in black



CLICK TO VIEW PRODUCT

Notes: