

Lightology

lightology.com
866-954-4489
06-12-26

Project: _____
 Company: _____
 Location: _____ Fixture Type: _____
 SPEC #: **WAC239746**
 Approved On: _____ Approved By: _____

LEDme Round Recessed / Surface Button Light

By WAC Lighting



Description

LEDme Button Lights deliver strong light output with long lasting life and performance using the latest energy efficient LED technology. Ideal for recessed or surface mounting in-cabinet or undercabinet installations such as luxury retail displays. Made of die-cast aluminum available in Brushed Nickel, Chrome, White, Black, Dark Bronze or Copper Bronze finish. Separate outer stamp steel housing for surface mount. Includes compression springs for recessed to hold fixture firmly in place. 2 1/8 inch cut out for recessed. Beam spread glass provided for even light distribution. Includes 72 inch pre-installed lead wires that lead out through the top for connection to a remote driver and five clips for mounting. Includes six 24 volt LEDs totaling 5 watts, choice of Very Warm White 2700K or Warm White 3000K color temperature, 85CRI LED, 180 lumens. Features replaceable LED module. Comparable to a 20 watt Xenon bulb. 70,000 hour average lamp life. Dimmable with low voltage electronic dimmer. General light distribution. Not recommended for use in ceiling. UL listed. 5 year product warranty. Dimensions: 2.25 inch diameter. 5/8 inch height recessed. 7/8 inch height surface mount. Requires Class 2 24 volt remote LED power supply. Multiple terminal block accessory for multiple output connections and frosted lens accessory available. Required power supply, optional terminal block and frosted lens accessory, sold separately.

Specifications

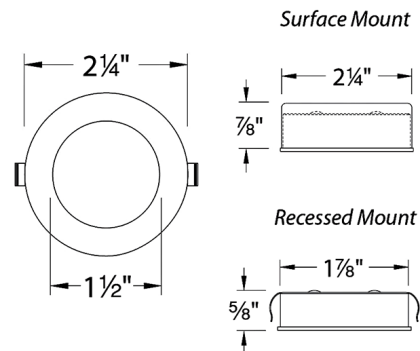
| | |
|-----------------------|------------------------|
| COLOR | N/A |
| BODY FINISH | Brushed Nickel |
| WATTAGE | 5W |
| DIMMER | Low Voltage Electronic |
| DIMENSIONS | 2.25"W |
| INTEGRATED LED MODULE | 1 x LED/5W/24V LED |
| COUNTRY OF ORIGIN | China |

Technical Information

| | |
|-----------------|-------------|
| LAMP LIFE | 70000 hours |
| COLOR RENDERING | 85 CRI |
| LAMP COLOR | 2700K |
| LUMENS/WATT | 36.00 |
| LUMINOUS FLUX | 180 lumens |



Shown in brushed nickel



CLICK TO VIEW PRODUCT

Notes: