

**BRAND**

Arteriors Home

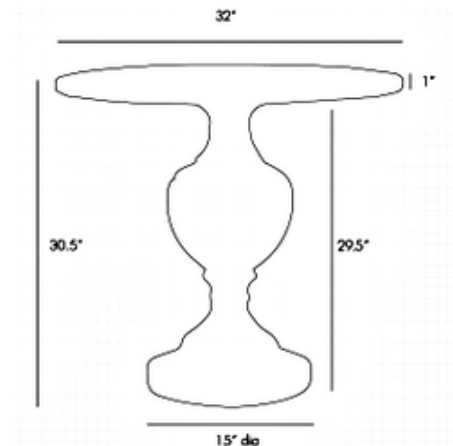
**DESCRIPTION**

Everett Entry Table is a transitional table with classic baluster profile base of natural oak with wax finish and oxidized iron clad table surface. This clad finish is entirely hand applied and over time will begin to slowly age, giving it an old world patina. 32 inch diameter x 32.5 inch height. Weight: 67.2 pounds.



<b>COLOR</b>	N/A
<b>BODY FINISH</b>	Natural Wood/ Iron
<b>WATTAGE</b>	N/A
<b>DIMMER</b>	N/A
<b>DIMENSIONS</b>	32"W x 30.5"H
<b>LAMP</b>	N/A

**SPEC #** AHM239976



COMPANY

PROJECT

FIXTURE TYPE

APPROVED BY

DATE