

# Lightology

lightology.com  
866-954-4489  
05-22-26

Project: \_\_\_\_\_  
 Company: \_\_\_\_\_  
 Location: \_\_\_\_\_ Fixture Type: \_\_\_\_\_  
 SPEC #: **LUT242902**  
 Approved On: \_\_\_\_\_ Approved By: \_\_\_\_\_

## Diva 24V LED Driver / Fluorescent Ballast 0-10V Dimmer

By Lutron

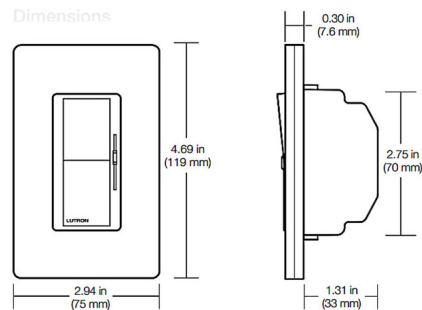


### Description

Diva 24V Operating Voltage 0-10V dimmer provides dimming control of 0-10 LED drivers and fluorescent ballasts. Features a large paddle switch and linear-slide dimmer that can be preset. Paddle switch provides dimming signal only. A gently illuminated nightlight shines which allows you to find the switch in the dark. Nightlight is best seen on light colored finishes. Available in satin and gloss finishes. Wires as a 24V. Single pole/3-way. A power pack is required to switch 120-277V and 347V. Note: Claro designer wall plate sold separately.



Shown in gloss ivory



**Note:** Requires a U.S. wallbox 2½ in (64 mm) deep minimum. Overall width and height dimensions shown are with a Claro wallplate (sold separately).

### Specifications

COLOR	N/A
BODY FINISH	Gloss Ivory
WATTAGE	N/A
DIMMER	0-10V
DIMENSIONS	2.94"W x 4.69"H x 1.31"D
BULB	N/A
COUNTRY OF ORIGIN	United States



CLICK TO VIEW PRODUCT

Notes: