

Lightology

lightology.com
866-954-4489
05-31-26

Project: _____

Company: _____

Location: _____ Fixture Type: _____

SPEC #: **VEN257**

Approved On: _____ Approved By: _____

Scheherazade Silk Multi Tier Pendant

By Venetian Designs



Description

Inspired by the tales of One Thousand and One Nights, the Scheherazade Silk Multi-Tier Pendant weaves a story of timeless elegance and exotic allure in any space. Crafted in Italy, this exquisite pendant light features a luxurious pure silk shade, gracefully draped over a sturdy brass structure, and finished with a sophisticated dark brown canopy. Available in a captivating range of hand-painted patterns from an intricate brown geometric and delicate green herbarium to a rich brown floral or a serene ivory plain silk, the Scheherazade offers unparalleled versatility. Choose between a charming 2-tier design (accommodating one bulb) or a grander 3-tier option (featuring three bulbs) to perfectly suit your lighting needs and aesthetic vision. Elevate your dining room, grand foyer, or master suite with this statement piece that seamlessly blends contemporary design with global charm and traditional sophistication. Note: The overall height is not adjustable and must be specified at the time of order to ensure a perfect fit for your space. 2-Tier Minimum/Maximum Height: 46 in. / 71.63 in. 3-Tier Minimum/Maximum Height: 53.5 in. / 74.88 in.

Specifications

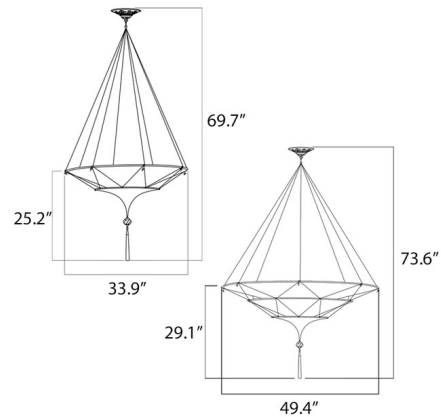
COLOR Brown Geometric
BODY FINISH Brass
WATTAGE 100W
DIMMER Standard 120V
DIMENSIONS 33.9"W x 25.2"H
BULB NOT INCLUDED 1 x A19/Medium (E26)/100W/120V Incandescent
OTHER BULB OPTIONS 1 x A19/Medium (E26)/120V LED

Technical Information

PRODUCT DIMENSIONS Maximum Overall Height: 69.7"



Shown in brass / brown geometric



CLICK TO VIEW PRODUCT

Notes: