

Lightology

lightology.com
866-954-4489
04-25-26

Project: _____
Company: _____
Location: _____ Fixture Type: _____
SPEC #: **JUN26535**
Approved On: _____ Approved By: _____

TL554 150W Remote Magnetic Transformer 12V By Juno Lighting



Description

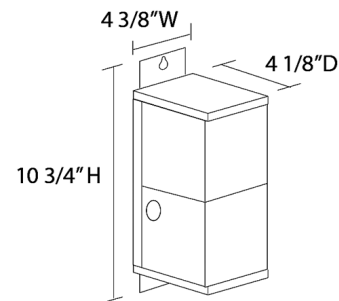
TL554N 12 Volt 1-Circuit 150 Watt Magnetic Remote Transformer is rated for incandescent loads 50 to 150 watts or LED loads 75 to 150 watts, 120VAC input. Potted core and coil construction with 25 volt boost tap. Features thermally protected primary, manually resettable, fast-acting magnetic circuit breaker on secondary. Primary and secondary circuits physically and electrically isolated. Resettable magnetic circuit breaker. Incandescent loads can be dimmed with high quality dimmers designed specifically for use with magnetic transformer. LED loads may be dimmed using only dimmers that have been tested and qualified by Juno for use with Juno LED fixtures including: Lutron Diva DVLV-600P, Lutron Nova NLV-600, Lutron Ceano CNLV-600P, Lutron Skylark SLV-600. UL Listed. New York City approved. 10.75 inch length x 4.4 inch width x 4.1 inch depth. Compatible with Juno Lighting Trac 12 and Trac 12/25 miniature low voltage track systems using low voltage LED or halogen luminaires.

Specifications

COLOR	N/A
BODY FINISH	Black
WATTAGE	150W
DIMMER	Low Voltage Magnetic
DIMENSIONS	10.75"L x 4.4"W x 4.1"D
BULB	N/A



Shown in black



CLICK TO VIEW PRODUCT

Notes: