



DESIGNER

Ron Rezek

BRAND

Artemide

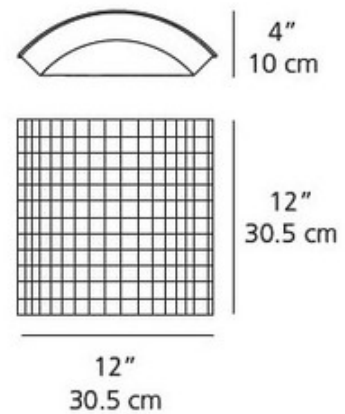
DESCRIPTION

The Facet Wall Light features a Clear grid sanded textured glass or White sanded textured glass diffuser with a White powder-coated steel backplate. Both diffusers have a slightly green tint. Mounts to standard electrical junction box. 12 inch width x 12 inch height x 4 inch depth. UL listed. ADA compliant.



Shown in: White / Clear Grid

SHADE COLOR	Clear Grid
BODY FINISH	White
WATTAGE	106W
DIMMER	Standard 120V
DIMENSIONS	12"W x 12"H x 4"D
LAMP	2 x A19/Medium (E26)/53W/120V Incandescent 2 x A19/Medium (E26)/120V LED



ITEM NUMBER

ART3061

COMPANY

PROJECT

FIXTURE TYPE

APPROVED BY

DATE