



DESIGNER

Serena Papait

BRAND

Karboxx

DESCRIPTION

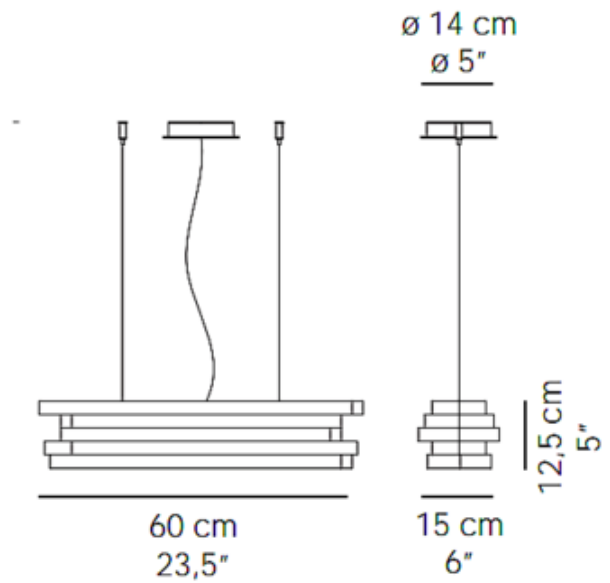
Escape Linear Suspension is made up of elements horizontally arranged and parallel to each other. Made of aluminum in painted White finish with an opaline methacrylate diffuser. Two 10 watt, 120 volt A-type medium base LED bulbs are required, but not included. ETL listed. 23.5 inch width x 5 inch height x 6 inch depth.



SHADE COLOR	White Acrylic
BODY FINISH	White
WATTAGE	20W
DIMMER	Dimmable
DIMENSIONS	23.5"W x 5.6"H x 6"D
BULB NOT INCLUDED	
LAMP	2 x A19/Medium (E26)/10W/120V LED 2 x CF/Medium (E26)/120V Compact Fluorescent

SPEC #

KBX332215



COMPANY

PROJECT

FIXTURE TYPE

APPROVED BY

DATE