

# Lightology

lightology.com  
866-954-4489  
04-19-26

Project: \_\_\_\_\_  
 Company: \_\_\_\_\_  
 Location: \_\_\_\_\_ Fixture Type: \_\_\_\_\_  
 SPEC #: **MAR349517**  
 Approved On: \_\_\_\_\_ Approved By: \_\_\_\_\_

## Tam Tam Pendant By Marset

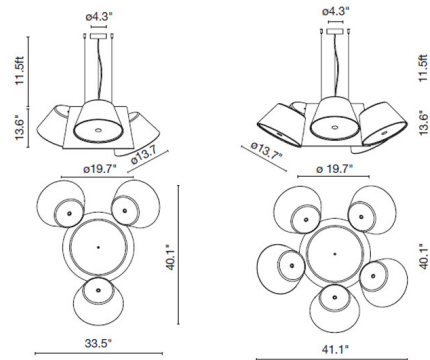


### Description

The Tam Tam Pendant is a new perception in the world of lamps, which extols repetitiveness by focusing on the archetypal lampshade: light sources pointed in different directions, geometrically arranged to invoke a feeling of organized chaos. It consists of a central shade made of Semi Matte lacquered aluminum in Black or Off White with three or five Semi Matte satellite shades in a variety of different colors. The outer satellite shades can be rotated 360 degrees by means of a swivel mechanism. Opalescent methacrylate bottom diffusers soften the light.



Shown in off-white central shade / off-white satellite shades



### Specifications

COLOR	Off-White Satellite Shades
BODY FINISH	Off-White Central Shade
WATTAGE	99W
DIMMER	Standard 120V
DIMENSIONS	33.5"W x 13.6"H
BULB NOT INCLUDED	9 x A19/Medium (E26)/11W/120V LED
COUNTRY OF ORIGIN	Spain

### Technical Information

PRODUCT DIMENSIONS	Canopy: 4.3" diameter
--------------------	-----------------------



CLICK TO VIEW PRODUCT

Notes: