



BRAND

Kichler

DESCRIPTION

The Cylinder LED Downlight Wall Sconce features a downlight only cylinder used to highlight architectural surfaces. Made of cast aluminum with powder coat Textured Architectural Bronze or Textured Black finish. UL listed. Suitable for wet locations. Dark Sky Compliant. Title 24 Compliant.



Shown in: Textured Architectural Bronze

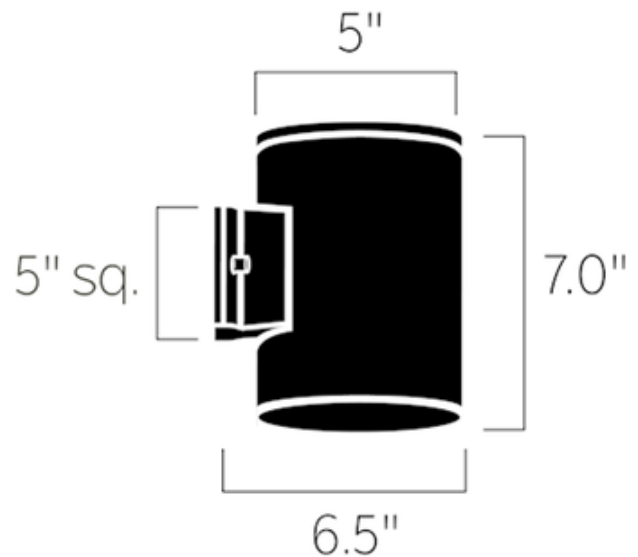
SHADE COLOR	N/A
BODY FINISH	Textured Architectural Bronze
WATTAGE	10W
DIMMER	Not Dimmable
DIMENSIONS	5"W x 7"H x 6.5"D
INTEGRATED LED MODULE	
LAMP	1 x LED/10W/120-277V LED

Technical Information

LUMINOUS FLUX	350 lumens
LUMENS/WATT	35.00
LAMP COLOR	3000K
COLOR RENDERING	90 CRI

SPEC #

KHR349587



COMPANY

PROJECT

FIXTURE TYPE

APPROVED BY

DATE