

Lightology

lightology.com
866-954-4489
04-21-26

Project: _____

Company: _____

Location: _____ Fixture Type: _____

SPEC #: **FLO350468**

Approved On: _____ Approved By: _____

Viscontea Suspension

By FLOS

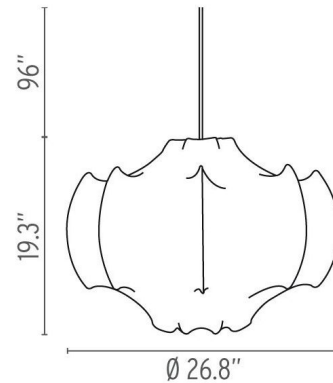


Description

Viscontea Pendant features a white power coated internal steel structure sprayed with a unique cocoon resin to create the diffuser which is then protected by a transparent sprayed on finish. One 100 watt, 120 volt T10 Medium base halogen bulb is included. Diffused light distribution. 26.8 inch diameter x 19.3 inch height x 115.3 inch overall length.



Shown in steel / white



Specifications

COLOR	White
BODY FINISH	Steel
WATTAGE	150W
DIMMER	Standard 120V
DIMENSIONS	115.3"L x 26.8"W x 19.3"H
BULB NOT INCLUDED	1 x T10/Medium (E26)/150W/120V Halogen
COUNTRY OF ORIGIN	Italy



CLICK TO VIEW PRODUCT

Notes: