



DESIGNER

Michael Anastassiades

BRAND

FLOS

DESCRIPTION

With a passion for balance, the IC T2 Table Lamp, designed by Michael Anastassiades for Flos, demands attention. This table lamp is composed of a blown Opal glass diffuser with a Chrome, Black, or Brass finish. Includes dimmer on power cord. One 150 watt 120 volt T10 medium base halogen bulb is included. UL listed.

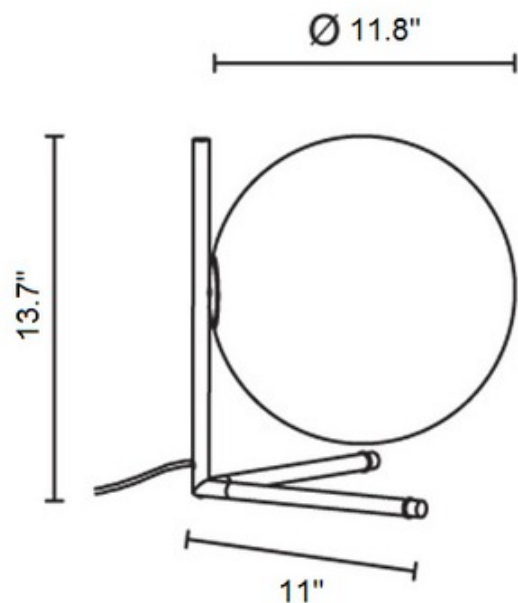


Shown in: Brass / Opal

SHADE COLOR	Opal
BODY FINISH	Brass
WATTAGE	150W
DIMMER	Included
DIMENSIONS	11.8"W x 13.7"H x 11"D
BULB INCLUDED	
LAMP	1 x T10/Medium (E26)/150W/120V Halogen

SPEC #

FLO350476



COMPANY

PROJECT

FIXTURE TYPE

APPROVED BY

DATE