

Lightology

lightology.com
866-954-4489
06-23-26

Project: _____

Company: _____

Location: _____ Fixture Type: _____

SPEC #: **RAB357774**

Approved On: _____ Approved By: _____

Bandit Wall Sconce

By Robert Abbey

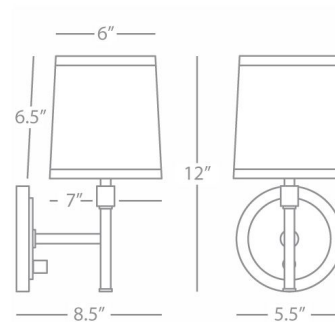


Description

The Bandit Wall Sconce offers a versatile and elegant design that will complement a wide variety of decor styles. The tapered lampshade is paired with a sleek metal arm. Hi-Lo rotary switch located on backplate.



Shown in deep patina bronze



Specifications

COLOR	N/A
BODY FINISH	Deep Patina Bronze
WATTAGE	5W
DIMMER	Standard 120V
DIMENSIONS	6"W x 12"H x 8.5"D
BULB NOT INCLUDED	1 x B11/Candelabra (E12)/5W/120V LED
OTHER BULB OPTIONS	1 x B10/Candelabra (E12)/60W/120V Incandescent
COUNTRY OF ORIGIN	China



CLICK TO VIEW PRODUCT

Notes: