



BRAND

Modern Forms

DESCRIPTION

Classic architectural styling and flattering light intersect in this open grid structure with an etched White glass layer with Stainless Steel finish. Accented with braces and struts in a elaborate design. Mounts vertically or horizontally. Seismic 18 inch: Includes one 25.5 watt, 120 volt, 3000K LED module, 1508 lumens. 18 inch width x 6.625 inch height x 3.5 inch depth. Seismic 27 inch: Includes 39 watt, 120 volt, 3000K LED module, 2537 lumens. 27 inch width x 6.625 inch height x 3.5 inch depth. Seismic 37 inch: Includes one 53 watt, 120 volt, 3000K LED module, 3637 lumens. 37 inch width x 6.625 inch height x 3.5 inch depth. ADA compliant.

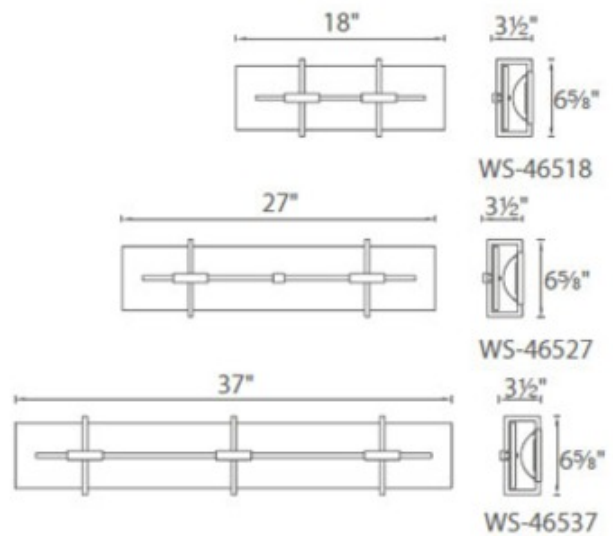


SHADE COLOR	White
BODY FINISH	Stainless Steel
WATTAGE	25.5W
DIMMER	Low Voltage Electronic
DIMENSIONS	18"W x 6.625"H x 3.5"D
INTEGRATED LED MODULE	
LAMP	1 x LED/25.5W/120V LED

Technical Information

LUMINOUS FLUX	1508 lumens
LUMENS/WATT	59.14
LAMP COLOR	3000K
COLOR RENDERING	90 CRI

SPEC # MFR360286



COMPANY	PROJECT	FIXTURE TYPE	APPROVED BY	DATE