

3IN RD Flanged Adjustable New Construction IC Housing



Shown in: Matte Black

Price: \$500.00

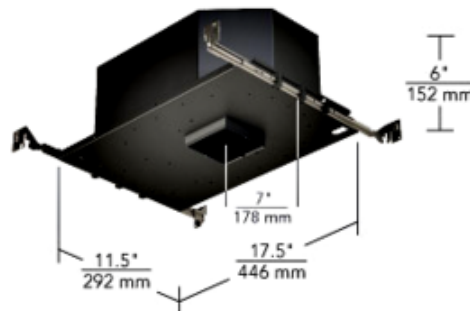
Shade Color: N/A
Body Finish: Matte Black
Lamp: 1 x LED/18W/120V LED
Wattage: 18W
Dimmer: Low Voltage Electronic
Dimensions: 17.5"L x 11.5"W x 6"H

Technical Information

Luminous Flux: 1811 lumens
Lumens/Watt: 100.61
Lamp Color: 2700 K
Color Rendering: 80 CRI
Beam Angle: 40°
Lamp Life: 50000 hours
Function: Adjustable Accent
Ceiling Type: Drywall with Trim
Housing Type: New construction IC Airtight
Housing Height: 6"
Aperture Shape: Round
Aperture Size: 0.000"

Description:

3 Inch Round Adjustable Downlight IC Airtight New Construction Housing for Flanged trims. This small aperture LED downlight is fully adjustable and the design allows the LED to be positioned closer to the aperture for maximum light output and efficiency, or higher to minimize glare on the trim. Additional adjustability allows for tool-free hot aiming and locking, including 0 to 40 degree tilt and 361 degree rotation to eliminate dead spots. Includes 18 watt LED module, 80CRI, with choice of 2700K, 3000K or 3500K color temperature and 15, 25 or 40 degree beam angle. 1811 delivered lumens. Constant current driver. Dimmable with an electronic low voltage TRIAC, or 0-10V dimmer (down to 5 percent), sold separately. See attached dimmer compatibility spec for approved dimmers. Housing is constructed of heavy gauge cold rolled steel with durable Matte Black powder coat finish. 3 7/8 inch ceiling opening. ETL listed. Suitable for damp locations. Suitable for wet locations with shower trim option. 17.5 inch length x 11.5 inch width x 6 inch height. 5 year warranty. Requires Element Lighting 3 inch round flanged trim, sold separately.



Product Number: ELE360830			
Company:		Fixture Type:	Date: Apr 05, 2020
Project:		Approved By:	

Fax: 773-883-6131

Phone: 866-954-4489

Address: 1718 W. Fullerton Ave. Chicago IL 60614

www.Lightology.com