



**BRAND** Visual Comfort Architectural

**DESCRIPTION**

3 Inch Round 90CRI Fixed Downlight Non-IC Airtight, IC Airtight, or Chicago Plenum New Construction Housing for round flanged trims. Small aperture LED downlight with architectural appearance. Includes 12 or 17 watt LED module with choice of 2700K, 3000K or 3500K color temperature or Warm Dim (3000K-1800K) and 10, 18, 25, 40 or 60 degree beam angle options. 3 7/8 inch ceiling opening. Suitable for damp locations. Suitable for wet locations with shower trim option. Includes a 120-277V Universal driver dimmable with standard reverse-phase, forward-phase, TRIAC, and 0-10V dimming. Note: A complete fixture requires a housing and trim, sold separately. Note: Warm Dim option is not available with 10 degree beam angle.



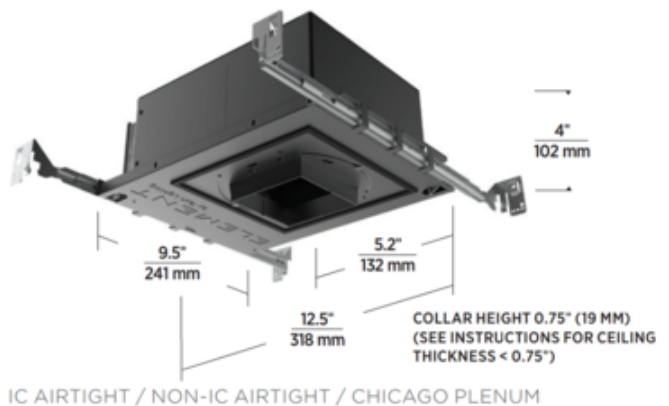
IC AIRTIGHT

Shown in: Black Powder Coat

<b>TRIM COLOR</b>	N/A
<b>BODY FINISH</b>	Black Powder Coat
<b>WATTAGE</b>	17W
<b>DIMMER</b>	Low Voltage Electronic
<b>DIMENSIONS</b>	12"W x 4"H x 9.5"D
<b>INTEGRATED LED MODULE</b>	
<b>LAMP</b>	1 x LED/17W/120-277V LED

*Technical Information*

<b>LUMINOUS FLUX</b>	1476 lumens
<b>LUMENS/WATT</b>	86.82
<b>LAMP COLOR</b>	2700K
<b>COLOR RENDERING</b>	90 CRI
<b>BEAM ANGLE</b>	18°
<b>LAMP LIFE</b>	50000 hours
<b>FUNCTION</b>	Downlight
<b>CEILING TYPE</b>	Drywall with Trim
<b>HOUSING TYPE</b>	New construction IC Airtight
<b>SPEC #</b>	ELE360845



COMPANY	PROJECT	FIXTURE TYPE	APPROVED BY	DATE