

**BRAND** Visual Comfort Architectural

**DESCRIPTION**

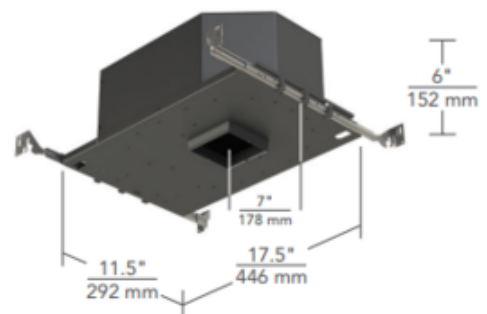
3 Inch Round 15 Degree LED Fixed Downlight IC AirTight New Construction Housing for Flangeless trims. Small aperture LED downlight with architectural appearance. LED module and optics are modular for ease of replacement. Includes 18 watt LED module, 80CRI, with choice of 2700K, 3000K or 3500K color temperature and 15, 25 or 40 degree beam angle. 1811 delivered lumens. Constant current driver. Dimmable with an electronic low voltage, TRIAC, or 0-10V (down to 5 percent) dimmer, sold separately. See attached dimmer compatibility spec for approved dimmers. Housing is constructed of heavy gauge cold rolled steel with durable Matte Black powder coat finish. Includes integral junction box approved for branch circuit through wiring. 3 7/8 inch ceiling opening. ETL listed. Suitable for damp locations. Suitable for wet locations with shower trim option. 17.5 inch length x 11.5 inch width x 6 inch height. 5 year warranty. Requires Element Lighting 3 inch round flangeless trim, sold separately.



<b>TRIM COLOR</b>	N/A
<b>BODY FINISH</b>	Matte Black
<b>WATTAGE</b>	18W
<b>DIMMER</b>	Low Voltage Electronic
<b>DIMENSIONS</b>	17.5"L x 11.5"W x 6"H
<b>INTEGRATED LED MODULE</b>	
<b>LAMP</b>	1 x LED/18W/120V LED

*Technical Information*

<b>LUMINOUS FLUX</b>	1811 lumens
<b>LUMENS/WATT</b>	100.61
<b>LAMP COLOR</b>	2700K
<b>COLOR RENDERING</b>	80 CRI
<b>BEAM ANGLE</b>	15°
<b>LAMP LIFE</b>	50000 hours
<b>FUNCTION</b>	Downlight
<b>CEILING TYPE</b>	Drywall Trimless/Flush
<b>HOUSING TYPE</b>	New construction IC Airtight
<b>SPEC #</b>	ELE360962



COMPANY	PROJECT	FIXTURE TYPE	APPROVED BY	DATE