

BRAND Visual Comfort Architectural

DESCRIPTION

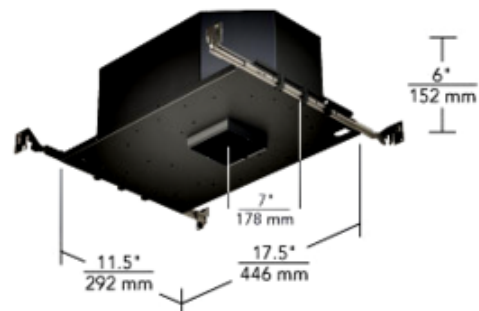
3 Inch Round 25 Degree LED Fixed Downlight IC AirTight New Construction Housing for Flangeless trims. Small aperture LED downlight with architectural appearance. LED module and optics are modular for ease of replacement. Includes 18 watt LED module, 80CRI, with choice of 2700K, 3000K or 3500K color temperature and 15, 25 or 40 degree beam angle. 1811 delivered lumens. Constant current driver. Dimmable with an electronic low voltage, TRIAC, or 0-10V (down to 5 percent) dimmer, sold separately. See attached dimmer compatibility spec for approved dimmers. Housing is constructed of heavy gauge cold rolled steel with durable Matte Black powder coat finish. Includes integral junction box approved for branch circuit through wiring. 3 7/8 inch ceiling opening. ETL listed. Suitable for damp locations. Suitable for wet locations with shower trim option. 17.5 inch length x 11.5 inch width x 6 inch height. 5 year warranty. Requires Element Lighting 3 inch round flangeless trim, sold separately.



TRIM COLOR	N/A
BODY FINISH	Matte Black
WATTAGE	18W
DIMMER	Low Voltage Electronic
DIMENSIONS	17.5"L x 11.5"W x 6"H
INTEGRATED LED MODULE	
LAMP	1 x LED/18W/120V LED

Technical Information

LUMINOUS FLUX	1811 lumens
LUMENS/WATT	100.61
LAMP COLOR	2700K
COLOR RENDERING	80 CRI
BEAM ANGLE	25°
LAMP LIFE	50000 hours
FUNCTION	Downlight
CEILING TYPE	Drywall Trimless/Flush
HOUSING TYPE	New construction IC Airtight
SPEC #	ELE360964



COMPANY	PROJECT	FIXTURE TYPE	APPROVED BY	DATE