



BRAND Visual Comfort Architectural

DESCRIPTION

3 Inch Round 90CRI Flangeless Adjustable Non-IC Airtight, IC Airtight, or Chicago Plenum New Construction Housing for round flangeless trims. This small aperture LED downlight is fully adjustable and the design allows the LED to be positioned closer to the aperture for maximum light output and efficiency, or higher to minimize glare on the trim. Additional adjustability allows for tool-free hot aiming and locking, including 0 to 40 degree tilt and 361 degree rotation to eliminate dead spots. Includes a 12 or 17 watt LED module in three color temperature options or with Warm Dim LED (3000K-1800K). Offered with a 10, 18, 25, 40 or 60 degree beam angle. 3 7/8 inch ceiling opening. Suitable for damp locations. Suitable for wet locations with shower trim option. Includes a 120-277V Universal driver dimmable with standard reverse-phase, forward-phase, TRIAC, and 0-10V dimming. Note: A complete fixture requires a housing and trim, sold separately. Note: Warm Dim option is not available with 10 degree beam angle.

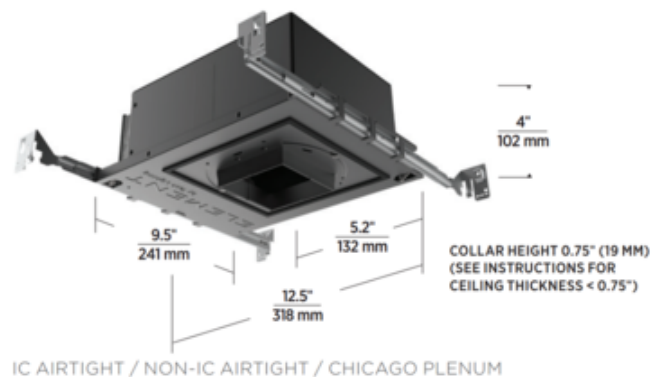


Shown in: Black Powder Coat

TRIM COLOR	N/A
BODY FINISH	Black Powder Coat
WATTAGE	17W
DIMMER	Low Voltage Electronic
DIMENSIONS	12.5"L x 9.5"W x 4"H
INTEGRATED LED MODULE	
LAMP	1 x LED/17W/120-277V LED

Technical Information

LUMINOUS FLUX	1476 lumens
LUMENS/WATT	86.82
LAMP COLOR	2700K
COLOR RENDERING	90 CRI
BEAM ANGLE	25°
LAMP LIFE	50000 hours
FUNCTION	Adjustable Accent
CEILING TYPE	Drywall Trimless/Flush
HOUSING TYPE	New construction IC Airtight
SPEC #	ELE360981



COMPANY	PROJECT	FIXTURE TYPE	APPROVED BY	DATE