



BRAND Visual Comfort Architectural

DESCRIPTION

3 Inch Square 90CRI Non-IC AirTight New Construction Housing for square flangeless wall wash trims. Small aperture LED wall wash with architectural appearance. LED comes factory positioned for optical performance distribution. Includes 12 or 17 watt LED module with choice of 2700K, 3000K or 3500K color temperature. 3 7/8 inch ceiling opening, offset. Suitable for damp locations. Includes a 120-277V Universal driver dimmable with standard reverse-phase, forward-phase, TRIAC, and 0-10V dimming. Note: A complete fixture requires a housing and trim, sold separately. Note: Warm Dim option is not available with 10 degree beam angle.

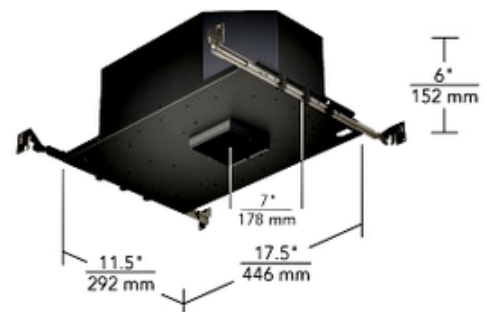


TRIM COLOR	N/A
BODY FINISH	Matte Black
WATTAGE	18W
DIMMER	Dimmable
DIMENSIONS	17.5"L x 11.5"W x 6"H
INTEGRATED LED MODULE	
LAMP	1 x LED/18W/120-277V LED

Technical Information

LUMINOUS FLUX	1514 lumens
LUMENS/WATT	84.11
LAMP COLOR	2700K
COLOR RENDERING	90 CRI
LAMP LIFE	50000 hours
CEILING TYPE	Drywall Trimless/Flush
HOUSING TYPE	New construction NON IC Airtight

SPEC # ELE361201



NON-IC AIRTIGHT

COMPANY	PROJECT	FIXTURE TYPE	APPROVED BY	DATE