

Lightology

lightology.com
866-954-4489
04-27-26

Project: _____
 Company: _____
 Location: _____ Fixture Type: _____
 SPEC #: **ET2361341**
 Approved On: _____ Approved By: _____

Harmony Rectangle Multi Light Pendant By Et2



Description

The Harmony Rectangle Multi Light Pendant features round Bubble glass with a Polished Chrome finish. Ten 1.5 watt 12 volt LED modules are included. 33.75 inch width x 3.75 inch height x 11 inch depth x 126 inch maximum length. UL or ETL listed.

Specifications

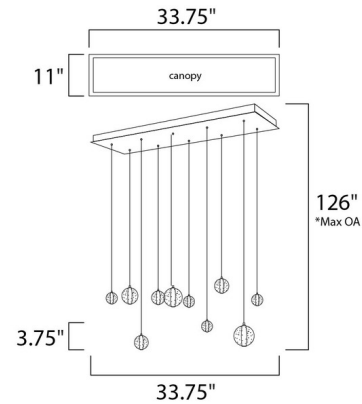
COLOR	Bubbles
BODY FINISH	Polished Chrome
WATTAGE	15W
DIMMER	Low Voltage Electronic
DIMENSIONS	33.75"L x 11"W x 3.75"H
INTEGRATED LED MODULE	10 x LED/1.5W/12V LED

Technical Information

PRODUCT DIMENSIONS	Min/Max Overall Height: 6" - 126"
LUMENS/WATT	700.00
LUMINOUS FLUX	1050 lumens



Shown in polished chrome / bubbles



*max overall height



CLICK TO VIEW PRODUCT

Notes: