



BRAND

SPJ Lighting

DESCRIPTION

SQ-500 Outdoor Path Light is made of solid brass with PVD (physical vapor deposition) in Satin finish. PVD finish is commonly used for fixtures that need to be highly water resistant, salt resistant, scratch resistant and guaranteed not to patina in any outdoor environment. Includes one 2 watt, 12 volt Nichia Forever Bright LED, 2700K color temperature, 125 lumens. .5 inch NPT. Includes dual fin spike. ETL listed. Suitable for wet locations. Made in USA. 20 year warranty. Dimensions: 1 inch square x 15 inch height x 5 inch depth. Requires magnetic transformer, sold separately.



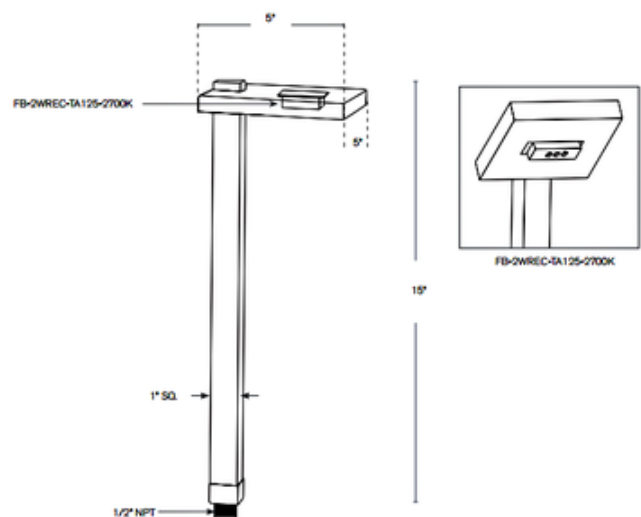
Shown in: PVD Satin

SHADE COLOR	N/A
BODY FINISH	PVD Satin
LAMP	1 x LED/2W/12V LED
WATTAGE	2W
DIMMER	Low Voltage Magnetic
DIMENSIONS	1"W x 15"H x 5"D

Technical Information

LUMINOUS FLUX	125 lumens
LUMENS/WATT	62.50
LAMP COLOR	2700 K

ITEM NUMBER SPJ362702



COMPANY	PROJECT	FIXTURE TYPE	APPROVED BY	DATE