

# Lightology

lightology.com  
866-954-4489  
05-24-26

Project: \_\_\_\_\_  
 Company: \_\_\_\_\_  
 Location: \_\_\_\_\_ Fixture Type: \_\_\_\_\_  
 SPEC #: **KUN364383**  
 Approved On: \_\_\_\_\_ Approved By: \_\_\_\_\_

## Kushi Pendant By kdIn

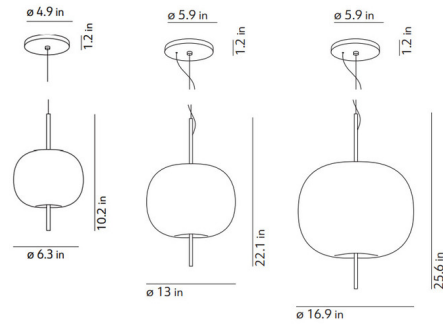


### Description

The Kushi Pendant offers a playful design with a modern edge, featuring a diffuser composed of two layers of blown Opal glass with a Black, Copper, or Brass accent rod piercing through to create a silhouette reminiscent of a candied apple.



Shown in copper / opal



### Specifications

COLOR . . . . .	Opal
BODY FINISH . . . . .	Copper
WATTAGE . . . . .	25W
DIMMER . . . . .	Standard 120V
DIMENSIONS . . . . .	13"W x 22.1"H
BULB NOT INCLUDED . . . . .	1 x A19/Medium (E26)/25W/120V Incandescent



CLICK TO VIEW PRODUCT

Notes: