



BRAND Visual Comfort Architectural

DESCRIPTION

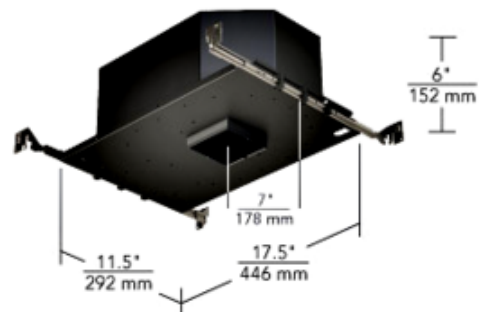
3 Inch Round Adjustable Downlight Non-IC Airtight New Construction Housing for Flanged trims. This small aperture LED downlight is fully adjustable and the design allows the LED to be positioned closer to the aperture for maximum light output and efficiency, or higher to minimize glare on the trim. Additional adjustability allows for tool-free hot aiming and locking, including 0 to 40 degree tilt and 361 degree rotation to eliminate dead spots. Includes 18 watt LED module, 80CRI, with choice of 2700K, 3000K or 3500K color temperature and 15, 25 or 40 degree beam angle. 1811 delivered lumens. Constant current driver. Dimmable with an electronic low voltage TRIAC, or 0-10V dimmer (down to 5 percent), sold separately. See attached dimmer compatibility spec for approved dimmers. Housing is constructed of heavy gauge cold rolled steel with durable Matte Black powder coat finish. 3 7/8 inch ceiling opening. ETL listed. Suitable for damp locations. Suitable for wet locations with shower trim option. 17.5 inch length x 11.5 inch width x 6 inch height. 5 year warranty. Requires Element Lighting 3 inch round flanged trim, sold separately.



SHADE COLOR	N/A
BODY FINISH	Matte Black
WATTAGE	18W
DIMMER	Low Voltage Electronic
DIMENSIONS	17.5"L x 11.5"W x 6"H
INTEGRATED LED MODULE	
LAMP	1 x LED/18W/120-277V LED

Technical Information

LUMINOUS FLUX	1811 lumens
LUMENS/WATT	100.61
LAMP COLOR	2700K
COLOR RENDERING	80 CRI
BEAM ANGLE	25°
LAMP LIFE	50000 hours
FUNCTION	Adjustable Accent
CEILING TYPE	Drywall with Trim
HOUSING TYPE	New construction NON IC Airtight
SPEC #	ELE364692



COMPANY	PROJECT	FIXTURE TYPE	APPROVED BY	DATE