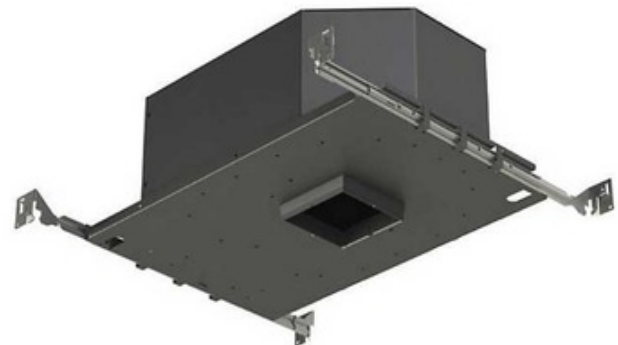




**BRAND** Visual Comfort Architectural

**DESCRIPTION**

3 Inch Round 90CRI Adjustable Downlight Non-IC, IC or Chicago Plenum New Construction Housing for round flanged trims. This small aperture LED downlight is fully adjustable and the design allows the LED to be positioned closer to the aperture for maximum light output and efficiency, or higher to minimize glare on the trim. Additional adjustability allows for tool-free hot aiming and locking, including 0 to 40 degree tilt and 361 degree rotation to eliminate dead spots. Includes 12 or 17 watt LED modules and a choice of 2700K, 3000K or 3500K color temperature and 10, 15, 25, 40 or 60 degree beam angle. 3 7/8 inch ceiling opening. Suitable for damp locations. Suitable for wet locations with shower trim option. Includes a 120-277V Universal driver dimmable with standard reverse-phase, forward-phase, TRIAC, and 0-10V dimming. Note: A complete fixture requires a housing and trim, sold separately. Note: Warm Dim option is not available with 10 degree beam angle.



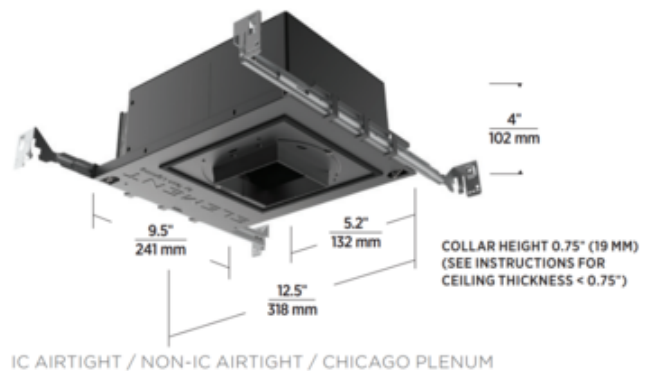
Shown in: Black Powder Coat

<b>TRIM COLOR</b>	N/A
<b>BODY FINISH</b>	Black Powder Coat
<b>WATTAGE</b>	17W
<b>DIMMER</b>	Low Voltage Electronic
<b>DIMENSIONS</b>	5.2"W x 4"H x 9.5"D
<b>INTEGRATED LED MODULE</b>	
<b>LAMP</b>	1 x LED/17W/120-277V LED

*Technical Information*

<b>LUMINOUS FLUX</b>	1476 lumens
<b>LUMENS/WATT</b>	86.82
<b>LAMP COLOR</b>	2700K
<b>COLOR RENDERING</b>	90 CRI
<b>BEAM ANGLE</b>	18°
<b>LAMP LIFE</b>	50000 hours
<b>FUNCTION</b>	Adjustable Accent
<b>CEILING TYPE</b>	Drywall with Trim
<b>HOUSING TYPE</b>	New construction NON IC Airtight

**SPEC #** ELE364724



IC AIRTIGHT / NON-IC AIRTIGHT / CHICAGO PLENUM

COMPANY	PROJECT	FIXTURE TYPE	APPROVED BY	DATE