



BRAND Visual Comfort Architectural

DESCRIPTION

3 Inch Round 90CRI Adjustable Downlight Non-IC, IC or Chicago Plenum New Construction Housing for round flanged trims. This small aperture LED downlight is fully adjustable and the design allows the LED to be positioned closer to the aperture for maximum light output and efficiency, or higher to minimize glare on the trim. Additional adjustability allows for tool-free hot aiming and locking, including 0 to 40 degree tilt and 361 degree rotation to eliminate dead spots. Includes 12 or 17 watt LED modules and a choice of 2700K, 3000K or 3500K color temperature and 10, 15, 25, 40 or 60 degree beam angle. 3 7/8 inch ceiling opening. Suitable for damp locations. Suitable for wet locations with shower trim option. Includes a 120-277V Universal driver dimmable with standard reverse-phase, forward-phase, TRIAC, and 0-10V dimming. Note: A complete fixture requires a housing and trim, sold separately. Note: Warm Dim option is not available with 10 degree beam angle.



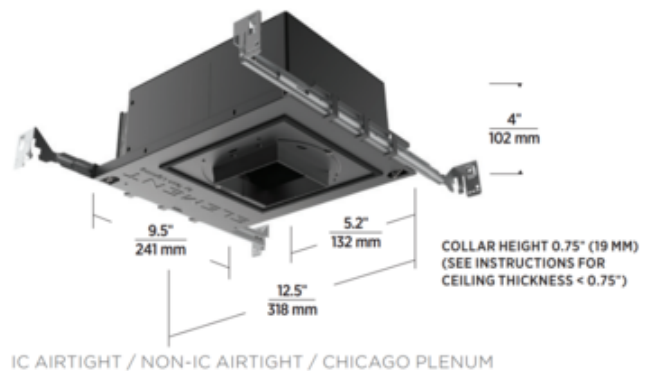
Shown in: Black Powder Coat

SHADE COLOR	N/A
BODY FINISH	Black Powder Coat
WATTAGE	17W
DIMMER	Low Voltage Electronic
DIMENSIONS	5.2"W x 4"H x 9.5"D
INTEGRATED LED MODULE	
LAMP	1 x LED/17W/120-277V LED

Technical Information

LUMINOUS FLUX	1476 lumens
LUMENS/WATT	86.82
LAMP COLOR	2700K
COLOR RENDERING	90 CRI
BEAM ANGLE	40°
LAMP LIFE	50000 hours
FUNCTION	Adjustable Accent
CEILING TYPE	Drywall with Trim
HOUSING TYPE	New construction NON IC Airtight

SPEC # ELE364732



COMPANY	PROJECT	FIXTURE TYPE	APPROVED BY	DATE