

**BRAND** Visual Comfort Architectural

**DESCRIPTION**

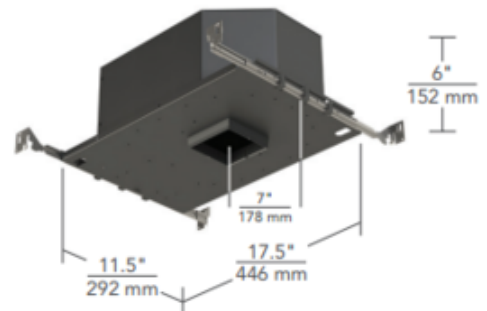
3 Inch Round 15, 25, or 40 Degree LED Adjustable Downlight Non-IC AirTight New Construction Housing for Flangeless trims. This small aperture LED downlight is fully adjustable and the design allows the LED to be positioned closer to the aperture for maximum light output and efficiency, or higher to minimize glare on the trim. Additional adjustability allows for tool-free hot aiming and locking, including 0 to 40 degree tilt and 361 degree rotation to eliminate dead spots. Includes 18 watt LED module, 80CRI, with choice of 2700K, 3000K or 3500K color temperature and 15, 25 or 40 degree beam angle. 1811 delivered lumens. Constant current driver. Dimmable with an electronic low voltage, TRIAC, or 0-10V (down to 5 percent) dimmer, sold separately. See attached dimmer compatibility spec for approved dimmers. Housing is constructed of heavy gauge cold rolled steel with durable Matte Black powder coat finish. Includes integral junction box approved for branch circuit through wiring. 3 7/8 inch ceiling opening. ETL listed. Suitable for damp locations. Suitable for wet locations with shower trim option. 17.5 inch length x 11.5 inch width x 6 inch height. 5 year warranty. Requires Element Lighting 3 inch round flangeless trim, sold separately.



<b>TRIM COLOR</b>	N/A
<b>BODY FINISH</b>	Matte Black
<b>WATTAGE</b>	18W
<b>DIMMER</b>	Low Voltage Electronic
<b>DIMENSIONS</b>	17.5"L x 11.5"W x 6"H
<b>INTEGRATED LED MODULE</b>	
<b>LAMP</b>	1 x LED/18W/120V LED

*Technical Information*

<b>LUMINOUS FLUX</b>	1811 lumens
<b>LUMENS/WATT</b>	100.61
<b>LAMP COLOR</b>	2700K
<b>COLOR RENDERING</b>	80 CRI
<b>BEAM ANGLE</b>	15°
<b>LAMP LIFE</b>	50000 hours
<b>FUNCTION</b>	Adjustable Accent
<b>CEILING TYPE</b>	Drywall Trimless/Flush
<b>HOUSING TYPE</b>	New construction NON IC Airtight
<b>SPEC #</b>	ELE364778



COMPANY	PROJECT	FIXTURE TYPE	APPROVED BY	DATE