

Evolution 3.5IN Shallow Remodel IC Housing



Description:

Evolution Series IT3000CE-LED GU5.3 MR16 LED IC AirTight Remodel Housing is made of 18 gauge galvanized steel and is approved for installation in insulated ceiling with direct contact to insulating material (except polyurethane). Below ceiling accessible. Requires a 4 inch clearance beyond the ceiling level. Designed for 12 volt, 11.5 watt GU5.3 base MR16 LED lamp, sold separately. Includes 15 watt 120V/12VAC electronic transformer. See lamp manufacturer for dimmer compatibility. Can fit in ceilings up to 1 1/8 inch thick. UL listed for damp locations. Ceiling cutout 3 5/8 inch. Housing dimensions: 10.75 inch length x 4.75 inch width x 3.9 inch height. A complete fixture consists of a housing and trim. Trim and lamp sold separately.



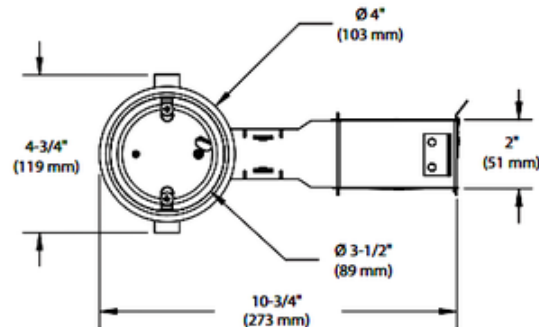
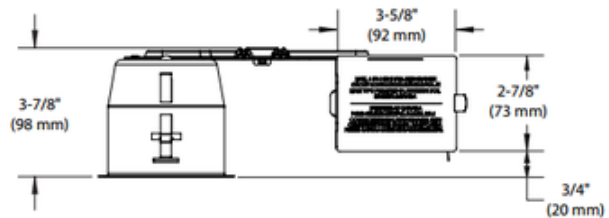
Shown in: Galvanized Steel

Price: \$61.20

- Shade Color:** N/A
- Body Finish:** Galvanized Steel
- Lamp:** 1 x MR16/GU5.3 (bipin)/11.5W/12V LED
- Wattage:** 11.5W
- Dimmer:** Low Voltage Electronic
- Dimensions:** 10.75"L x 4.75"W x 3.9"H

Technical Information

- Ceiling Type:** Drywall with Trim
- Housing Type:** Remodel IC
- Housing Height:** 4"
- Aperture Size:** 0.000"
- Product Dimensions:** Cutout: 3 5/8"



Product Number: CLT369059		
Company:	Fixture Type:	Jun 01, 2020
Project:	Approved By:	

Fax: 773-883-6131

Phone: 866-954-4489

Address: 1718 W. Fullerton Ave. Chicago IL 60614

www.Lightology.com