



**BRAND**

Contrast Lighting

**DESCRIPTION**

Evolution Series NW3000CE-LED 3.5 Inch GU5.3 MR16 LED IC AirTight New Construction Housing is made of 18 gauge galvanized steel and is approved for installation in insulated ceiling with direct contact to insulating material (except polyurethane). Below ceiling accessible. Requires a 3.75 inch clearance beyond the ceiling level. Designed for 12 volt, 11.5 watt GU5.3 base MR16 LED lamp, sold separately. Includes 15 watt 120V/12VAC electronic transformer. See lamp manufacturer for dimmer compatibility. Can fit in ceilings up to 1 1/8 inch thick. UL listed for damp locations. Ceiling cutout 3 5/8 inch. Housing dimensions: 13.75 inch length x 7.3 inch width x 3.75 inch height. A complete fixture consists of a housing and trim. Trim and lamp sold separately.



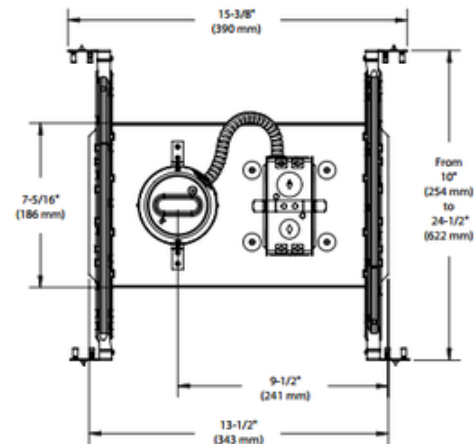
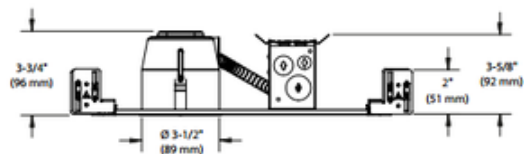
*Shown in: Galvanized Steel*

|                    |                                      |
|--------------------|--------------------------------------|
| <b>TRIM COLOR</b>  | N/A                                  |
| <b>BODY FINISH</b> | Galvanized Steel                     |
| <b>WATTAGE</b>     | 11.5W                                |
| <b>DIMMER</b>      | Low Voltage Electronic               |
| <b>DIMENSIONS</b>  | 13.5"L x 7.3"W x 3.75"H              |
| <b>LAMP</b>        | 1 x MR16/GU5.3 (bipin)/11.5W/12V LED |

*Technical Information*

|                           |                              |
|---------------------------|------------------------------|
| <b>CEILING TYPE</b>       | Drywall with Trim            |
| <b>HOUSING TYPE</b>       | New construction IC Airtight |
| <b>HOUSING HEIGHT</b>     | 4"                           |
| <b>PRODUCT DIMENSIONS</b> | Cutout: 3 5/8"               |

**ITEM NUMBER** CLT369063



| COMPANY | PROJECT | FIXTURE TYPE | APPROVED BY | DATE |
|---------|---------|--------------|-------------|------|
|         |         |              |             |      |