



BRAND

Contrast Lighting

DESCRIPTION

Modul Aim 1-Light Electronic Low Voltage Dim Modular Base Unit Assembled Housing with Crisp White Technology is a true modular approach that will let you configure L, cross, square, staggered units and even more configurations by assembling the units together in a fast and easy way. Features a powder coated 22 gauge galvanized steel housing to fit in ceilings up to 2 inch thick for remodel and 1 inch thick for new construction. Available in Matte White or Matte Black. Non-IC rating requires no contact with insulation and at least 3 inch clearance between housing and insulation. Swivels 359 degrees and tilts 40 degrees with a one screw locking device to lock both axis in position. Includes 20 watts LED with 3000K Warm White color temperature, 90+CRI, 1195 lumens. Features Lumileds Luxeon CoB 1205 LED engine, delivering approximately 63 lumens per watt with a lumen maintenance greater than 70 percent after 50,000 hours of operation. Optical reflectors available in 15 degree spot, 19 degree medium spot, 32 degree narrow flood and 45 degree wide flood. UL listed for damp locations. Energy Star certified. 5 year warranty on LED module and driver. 6.25 inch x 6.25 inch ceiling cut-out. Available in a with trim option, offered in three finishes, or a trimless option requiring a mesh plate. Mask accessory available to conceal interior components to give a more finished look. Dimmable with an electronic low voltage dimmer-see attached Performance 1 manufacturer dimmer compatibility recommendations. Use remodeler, new construction and suspension cable installation kits, depending on application. Required trim, trimless mesh plate, mask, installation kit and dimmer control sold separately.

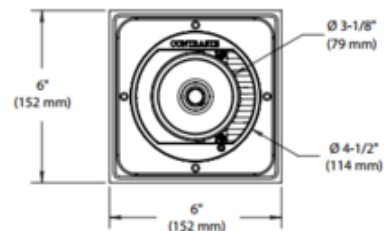
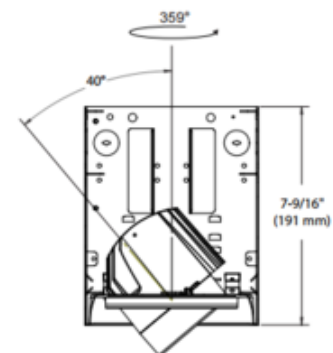


TRIM COLOR	N/A
BODY FINISH	Matte White
WATTAGE	20W
DIMMER	Low Voltage Electronic
DIMENSIONS	6"W x 7.56"H x 6"D
INTEGRATED LED MODULE	
LAMP	1 x LED/20W/120V LED

Technical Information

LUMINOUS FLUX	1195 lumens
LUMENS/WATT	59.75
LAMP COLOR	3000K
COLOR RENDERING	90 CRI
BEAM ANGLE	15°
LAMP LIFE	50000 hours
HOUSING HEIGHT	8"
APERTURE SHAPE	Round

SPEC # CLT372013



COMPANY	PROJECT	FIXTURE TYPE	APPROVED BY	DATE