



BRAND

Contrast Lighting

DESCRIPTION

Modul Aim 1-Light Electronic Low Voltage Dim Modular Base Unit Assembled Housing is a true modular approach that will let you configure L, cross, square, staggered units and even more configurations by assembling the units together in a fast and easy way. Available in Matte Black. Non-IC rating requires no contact with insulation and at least 3 inch clearance between housing and insulation. Swivels 359 degrees and tilts 40 degrees with a one screw locking device to lock both axis in position. Includes 20 watts LED with choice of 2700K Very Warm White or 3000K Warm White, color temperature. Optical reflectors available in 15 degree spot or 32 degree narrow flood. UL listed for damp locations. Energy Star certified. 5 year warranty on LED module and driver. 6.25 inch x 6.25 inch ceiling cut-out. Dimmable with an electronic low voltage dimmer-see attached Performance 1 manufacturer dimmer compatibility recommendations. Use remodeler, new construction and suspension cable installation kits, depending on application. Required trim, trimless mesh plate, mask, installation kit and dimmer control sold separately.

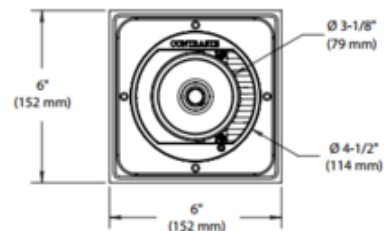
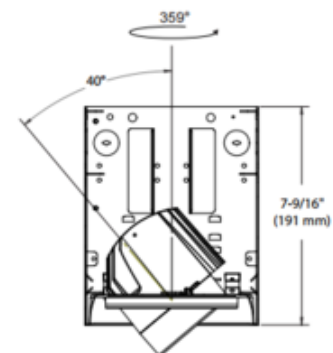


TRIM COLOR	N/A
BODY FINISH	Matte Black
WATTAGE	20W
DIMMER	Low Voltage Electronic
DIMENSIONS	6"W x 7.56"H x 6"D
INTEGRATED LED MODULE	
LAMP	1 x LED/20W/120V LED

Technical Information

LUMINOUS FLUX	1267 lumens
LUMENS/WATT	63.35
LAMP COLOR	2700K
COLOR RENDERING	90 CRI
BEAM ANGLE	45°
LAMP LIFE	50000 hours
HOUSING HEIGHT	8"
APERTURE SHAPE	Round

SPEC # CLT372113



COMPANY

PROJECT

FIXTURE TYPE

APPROVED BY

DATE
