



BRAND

Contrast Lighting

DESCRIPTION

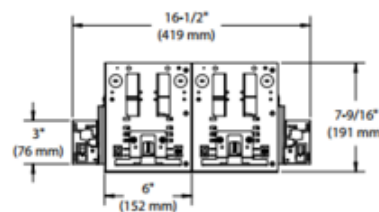
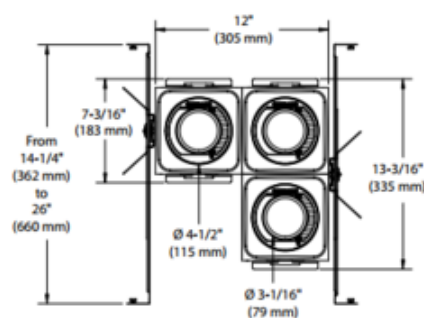
Modul Aim 3-Light L-Shape Color Tuning Non-IC New Construction Assembled Housing with 26 or 41 Degree Beam Angle features a powder coated 22 gauge galvanized steel housing to fit in ceilings up to 1 inch thick. Available in Matte White or Matte Black. Non-IC rating requires no direct contact with insulation and at least 3 inch clearance between housing and insulation. Swivels 360 degrees and tilts 40 degrees with a one screw locking device to lock both axis in position. Includes 3X20 watts LED Lumenetix Araya CTM1 Color Tuning Tunable White Module which allows the user to program millions of color combinations using a user friendly Bluetooth application available on iOS mobile devices. The application allows programming of different scenes, colors, and color temperatures while the day-to-day control is ensured by standard 0-10V wall mounted dimmers. 2808 lumens at 4000K/47 lumens per watt, 90+ CRI. Lumen maintenance greater than 70 percent after 50,000 hours of operation. Optical reflectors available in 26 degree narrow flood and 41 degree wide flood. UL listed for damp locations. Energy Star certified. 5 year warranty on LED module and driver. 16.5 length x 13.18 inch width x 7.56 inch height housing. Available in a with trim option, offered in three finishes, or a trimless option requiring a mesh plate. Mask accessory available to conceal interior components to give a more finished look. Dimmable with 0-10V dimmer- see attached Performance 1 manufacturer dimmer compatibility recommendations. Required trim, trimless mesh plate, mask and dimmer control sold separately.



TRIM COLOR	N/A
BODY FINISH	Matte Black
WATTAGE	60W
DIMMER	0-10V
DIMENSIONS	16.5"L x 13.18"W x 7.56"H
INTEGRATED LED MODULE	
LAMP	3 x LED/20W/120V LED

Technical Information

LUMINOUS FLUX	2808 lumens
LUMENS/WATT	140.40
LAMP COLOR	Tunable White
COLOR RENDERING	90 CRI
BEAM ANGLE	26°
LAMP LIFE	50000 hours
HOUSING TYPE	New Construction NON IC
HOUSING HEIGHT	8"
APERTURE SHAPE	Round
SPEC #	CLT372915



COMPANY

PROJECT

FIXTURE TYPE

APPROVED BY

DATE
