



BRAND

Contrast Lighting

DESCRIPTION

Modul Aim 4-Light Square Electronic Low Voltage Dim Non-IC Remodel Assembled Housing with 45 Degree Beam Angle features a powder coated 22 gauge galvanized steel housing to fit in ceilings up to 2 inch thick. Available in Matte White or Matte Black. Non-IC rating requires no direct contact with insulation and at least 3 inch clearance between housing and insulation. Swivels 360 degrees and tilts 40 degrees with a one screw locking device to lock both axis in position. Includes 4X20 watts LED with choice of 2700K Very Warm White, 3000K Warm White, 3500K Neutral White or 4000K Cool White color temperature, 90+ CRI, 5068 lumens. Features Lumileds Luxeon CoB 1205 LED engine, delivering approximately 63 lumens per watt with a lumen maintenance greater than 70 percent after 50,000 hours of operation. Optical reflectors available in 15 degree spot, 19 degree medium spot, 32 degree narrow flood and 45 degree wide flood. UL listed for damp locations. Energy Star certified. 5 year warranty on LED module and driver. 16.5 inch length x 13.18 inch width x 7.56 inch height housing. Available in a with trim option, offered in three finishes, or a trimless option requiring a mesh plate. Mask accessory available to conceal interior components to give a more finished look. Dimmable with an electronic low voltage dimmer- see attached Performance 1 manufacturer dimmer compatibility recommendations. Required trim, trimless mesh plate, mask(s) and dimmer control, sold separately.



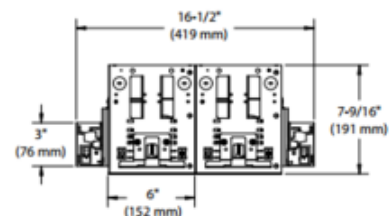
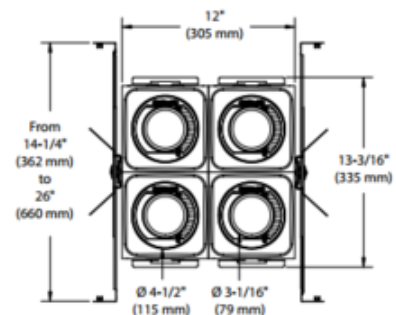
Shown in: Matte White

TRIM COLOR	N/A
BODY FINISH	Matte White
LAMP	4 x LED/20W/120V LED
WATTAGE	80W
DIMMER	Low Voltage Electronic
DIMENSIONS	16.5"L x 13.18"W x 7.56"H

Technical Information

LUMINOUS FLUX	5068 lumens
LUMENS/WATT	253.40
LAMP COLOR	2700 K
COLOR RENDERING	90 CRI
BEAM ANGLE	32°
LAMP LIFE	50000 hours
FUNCTION	Adjustable Accent
HOUSING TYPE	New Construction NON IC
HOUSING HEIGHT	8"

PRODUCT NUMBER CLT373064



COMPANY	PROJECT	FIXTURE TYPE	APPROVED BY	DATE