



BRAND

Contrast Lighting

DESCRIPTION

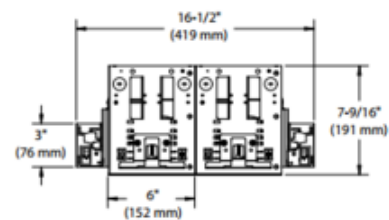
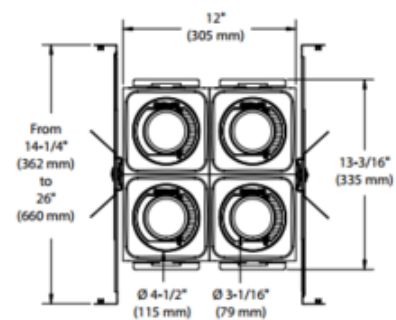
Modul Aim 4-Light Square Warm Dim Non-IC New Construction Assembled Housing with 26 or 41 Degree Beam Angle features a powder coated 22 gauge galvanized steel housing to fit in ceilings up to 2 inch thick. Available in Matte White or Matte Black. Non-IC rating requires no direct contact with insulation and at least 3 inch clearance between housing and insulation. Swivels 360 degrees and tilts 40 degrees with a one screw locking device to lock both axis in position. Includes 4X20 watts LED with Warm Dim Lumenetix Araya DDM1 Dynamic Dimming Module, delivering dimmable white light that warms as it dims reproducing dimming conditions of a halogen lamp. It allows the user to change the color temperature from 3050K at full intensity to 1800K at a minimum intensity while ensuring a 90+ CRI over the full dimming range. 3744 lumens at 3000K/43 lumens per watt with a lumen maintenance greater than 70 percent after 50,000 hours of operation. Optical reflectors available in 26 degree narrow flood and 41 degree wide flood. UL listed for damp locations. Energy Star certified. 5 year warranty on LED module and driver. 16.5 inch length x 13.18 inch width x 7.56 inch height housing. Available in a with trim option, offered in three finishes, or a trimless option requiring a mesh plate. Mask accessory available to conceal interior components to give a more finished look. Dimmable with 0-10V dimmer-see attached Performance 1 manufacturer dimmer compatibility recommendations. Required trim, trimless mesh plate, mask(s) and dimmer control, sold separately.



TRIM COLOR	N/A
BODY FINISH	Matte Black
WATTAGE	80W
DIMMER	0-10V
DIMENSIONS	16.5"L x 13.18"W x 7.56"H
INTEGRATED LED MODULE	
LAMP	4 x LED/20W/120V LED

Technical Information

LUMINOUS FLUX	3744 lumens
LUMENS/WATT	187.20
LAMP COLOR	3000K Warm Dim
COLOR RENDERING	90 CRI
BEAM ANGLE	26°
LAMP LIFE	50000 hours
FUNCTION	Adjustable Accent
HOUSING TYPE	New Construction NON IC
HOUSING HEIGHT	8"
SPEC #	CLT373210



COMPANY

PROJECT

FIXTURE TYPE

APPROVED BY

DATE
