

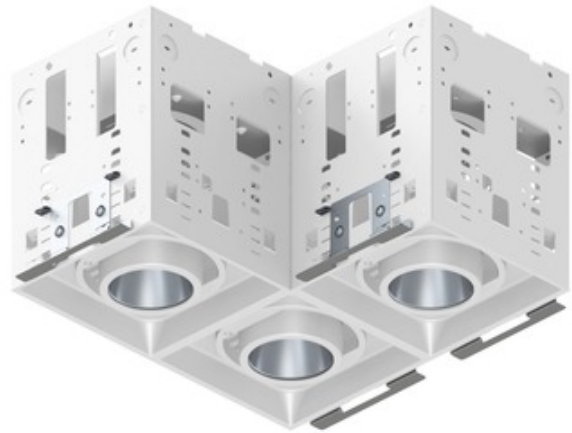


BRAND

Contrast Lighting

DESCRIPTION

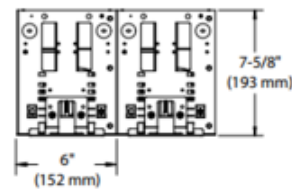
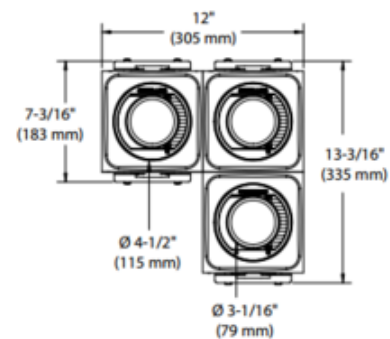
Modul Aim 3-Light L-Shape Electronic Low Voltage Dim Non-IC Remodel Assembled Housing with CrispWhite Technology features a powder coated 22 gauge galvanized steel housing to fit in ceilings up to 2 inch thick. Available in Matte White or Matte Black. Non-IC rating requires no contact with insulation and at least 3 inch between housing and insulation. Swivels 359 degrees and tilts 40 degrees with a one screw locking device to lock both axis in position. Includes 3X20 watts LED with 3000K Warm White color temperature, 90+ CRI, 3585 lumens. Features Lumileds Luxeon CoB 1205 LED engine with CrispWhite Technology, delivering the warm saturated colors of high 90+ CRI solutions while creating the natural crisp whiteness required for merchandising. 50,000 hour average lamp life. Optical reflectors available in 15 degree spot, 19 degree medium spot, 32 degree narrow flood and 45 degree wide flood. UL listed for damp locations. Energy Star certified. 5 year warranty on LED module and driver. 13.18 inch length x 12 inch width x 7.62 inch height housing. Available in a with trim option, available in three finishes, or a trimless option requiring a mesh plate. Optional Mask accessory available to conceal interior components to give a more finished look. Dimmable with an electronic low voltage dimmer per attached manufacturer dimmer compatibility recommendations. Required trim, mesh plate for trimless, optional mask and dimmer control, sold separately.



TRIM COLOR	N/A
BODY FINISH	Matte White
WATTAGE	60W
DIMMER	Low Voltage Electronic
DIMENSIONS	13.18"L x 12"W x 7.62"H
INTEGRATED LED MODULE	
LAMP	3 x LED/20W/120V LED

Technical Information

LUMINOUS FLUX	3585 lumens
LUMENS/WATT	179.25
LAMP COLOR	3000K
COLOR RENDERING	90 CRI
BEAM ANGLE	15°
LAMP LIFE	50000 hours
HOUSING TYPE	Remodel NON IC
HOUSING HEIGHT	8"
APERTURE SHAPE	Round
SPEC #	CLT373921



COMPANY

PROJECT

FIXTURE TYPE

APPROVED BY

DATE
