

Lightology

lightology.com
866-954-4489
04-04-26

Project: _____
 Company: _____
 Location: _____ Fixture Type: _____
 SPEC #: **WAC376882**
 Approved On: _____ Approved By: _____

Tesla 3.5 inch New Construction IC Housing - Overstock

By WAC Lighting



Description

Tesla 3.5 Inch LED New Construction IC Airtight Housing and junction box is made of 20 gauge steel with frame and hanger bars in heavy gauge galvanized steel. Suitable for direct contact with insulation. Three knockouts and three Romex style wiring connectors provided for ease of installation. Supplied with hanger bars adjustable from 14.5 to 24.5 inches including a captive mounting screw nail and integral t-bar clamps. Accommodates surfaces from .50 to .75 inch thickness. Rated for branch wiring. Includes universal electronic driver, 120-277V AC 50/60Hz input, 21.5 watt output. 4 5/8 inch cut out. UL listed. 120 volt may be dimmed to 15 percent with an electronic low voltage dimmer, sold separately. 120-277 volt may be dimmed to 10 percent with a 0-10V dimmer, sold separately. Note: A complete fixture requires a housing and trim, sold separately.

Specifications

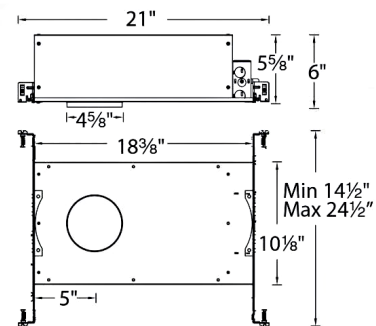
REFLECTOR/BAFFLE COLOR	N/A
BODY FINISH	Galvanized
WATTAGE	21.5W
DIMMER	Dimmable
DIMENSIONS	18.4"W x 5.6"H x 10.1"D
INTEGRATED LED MODULE	1x LED/21.5W/120V LED
COUNTRY OF ORIGIN	China

Technical Information

APERTURE SIZE	3.500"
HOUSING HEIGHT	6"
HOUSING TYPE	New construction IC Airtight
CEILING TYPE	Drywall with Trim
FUNCTION	Downlight



Shown in galvanized



CLICK TO VIEW PRODUCT

Notes: