



BRAND

Hunza Lighting

DESCRIPTION

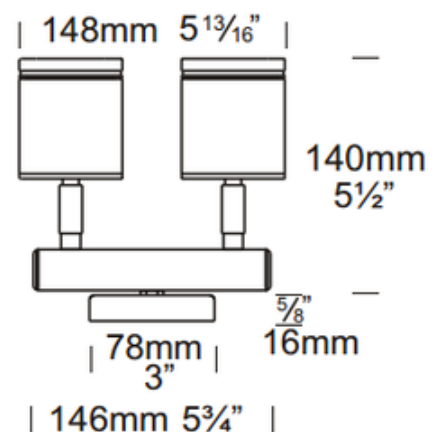
Twin Halogen Wall Light is a wall mounted luminaire with two full adjustable heads, each allowing 360 degree rotation and 0-90 degree elevation. This fixture has been designed to be mounted on walls and provide directional light for pathways and structural elements of a building. Finish available in powder coated Black. IP66 rated for wet locations. Required low voltage transformer and WBAP Wall Box Adapter Plate, sold separately. Dimmer type dependent on type of transformer/power supply selected (low voltage electronic or low voltage magnetic).



Shown in: Black

SHADE COLOR	N/A
BODY FINISH	Black
WATTAGE	70W
DIMMER	Dimmable
DIMENSIONS	5.75"W x 5.5"D
BULB NOT INCLUDED	
LAMP	2 x MR16/GU5.3 (bipin)/35W/12V Halogen 2 x MR16/GU5.3 (bipin)/12V LED

SPEC # HUZ38410



COMPANY	PROJECT	FIXTURE TYPE	APPROVED BY	DATE