



BRAND

Hinkley Lighting

DESCRIPTION

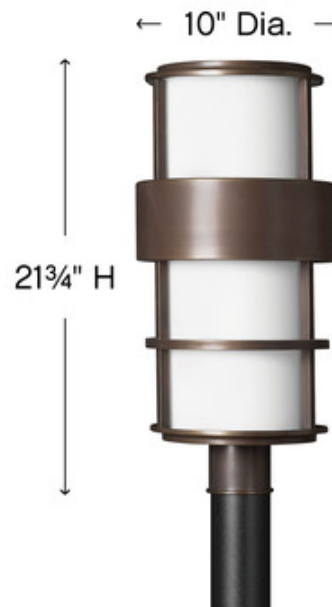
The Saturn 120V Outdoor Post Mount features an Etched Opal glass diffuser with a Metro Bronze or Stainless Steel finish. Two lamping options. Post fitter is 3 inches in diameter. Post not included. General light distribution. Hinkley post lights are compatible with two types of base; order either a pier mount fitter or post depending on the application.



Shown in: Metro Bronze / Etched Opal

SHADE COLOR	Etched Opal
BODY FINISH	Metro Bronze
WATTAGE	72W
DIMMER	Standard 120V
DIMENSIONS	10"W x 21.75"H
LAMP	1 x A19/Medium (E26)/72W/120V Incandescent 1 x A19/Medium (E26)/120V LED

ITEM NUMBER HIN38971



COMPANY	PROJECT	FIXTURE TYPE	APPROVED BY	DATE