



BRAND

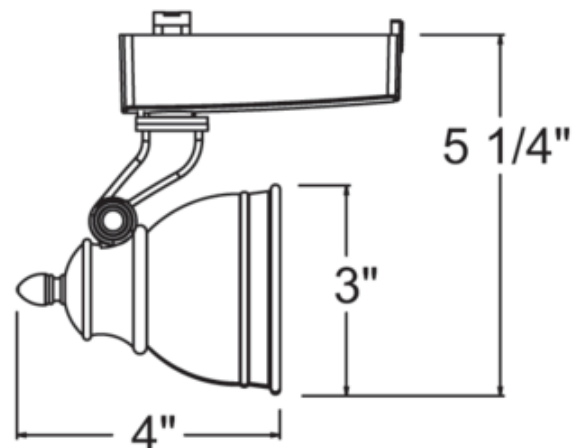
Juno Lighting

DESCRIPTION

The Juno Trac-Lites R710 Bell Spotlight provides precise beam control and an intense, white light ideal for display and accent lighting. Available in Satin Chrome finish. Includes a miniature 12-volt, 50VA solid state electronic transformer. Features an integral baffle and deep lamp regression for optimal lamp shielding, and aiming locks to help retain fixture position during relamping. 90 degree vertical aiming capability and 358 degree rotation. One 12 volt 20 to 50 watt GU5.3 MR16 halogen cover glass lamp is required, but not included. UL listed. 3 inch width x 4 inch depth x 5.25 inch height. For use with Juno Lighting 1 and 2-circuit Trac Master and 1-circuit Trac-Lites line voltage track systems.



SHADE COLOR	N/A
BODY FINISH	White
WATTAGE	50W
DIMMER	Low Voltage Electronic
DIMENSIONS	3"W x 5.25"H x 4"D
LAMP	1 x MR16/GU5.3 (bipin)/50W/12V Halogen MR16/GU5.3 (bipin)/12V LED



SPEC # JUN395903

COMPANY	PROJECT	FIXTURE TYPE	APPROVED BY	DATE