

# Lightology

lightology.com  
866-954-4489  
05-21-26

Project: \_\_\_\_\_

Company: \_\_\_\_\_

Location: \_\_\_\_\_ Fixture Type: \_\_\_\_\_

SPEC #: **HEV39681**

Approved On: \_\_\_\_\_ Approved By: \_\_\_\_\_

## HL-716 MR16 Sign Light

By Hevi Lite

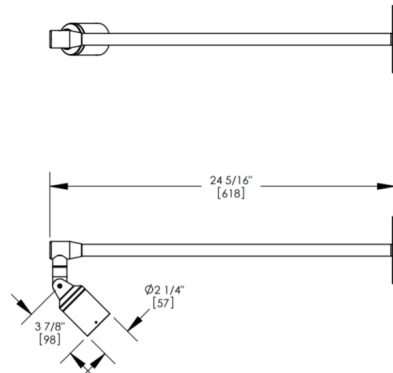


### Description

HL-716 MR16 Sign Light features a 24 inch arm with 90 degree adjustability. Perfect for illumination of signs, buildings and open spaces. Available in a machined aluminum. Finish available in satin aluminum, black, bronze, or white. ETL listed. Suitable for wet/damp/dry locations. Requires a 12V AC output transformer, sold separately.



Shown in aluminum / bronze



### Specifications

COLOR	Bronze
BODY FINISH	Aluminum
WATTAGE	50W
DIMMER	Low Voltage Electronic
DIMENSIONS	24.31"L x 2.25"W x 3.88"H
BULB NOT INCLUDED	1 x MR16/GX5.3/50W/12V Halogen
OTHER BULB OPTIONS	1 x MR16/GU5.3 (bipin)/12V LED
COUNTRY OF ORIGIN	United States



CLICK TO VIEW PRODUCT

Notes: