

Lightology

lightology.com
866-954-4489
06-15-26

Project: _____
 Company: _____
 Location: _____ Fixture Type: _____
 SPEC #: **CER398902**
 Approved On: _____ Approved By: _____

Fons Floor Lamp By Cerno



Description

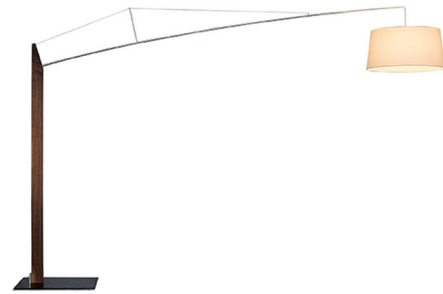
The Fons Floor Lamp was designed to minimize the structure and visual massing of the fixture while maximizing the reach or cantilever as much as possible. The delicate boom arm is held up by tension cables and gently bends while reaching out to almost horizontal where it suspends the light. The effectiveness of the design resolves the forces of the long reach so that it seems to float with a weightlessness at the tip. Features a Brushed Aluminum arm complemented by a Walnut body, Black base and a White linen shade. Made in the USA. Prop 65. Includes 72 inch clear silver cord with inline foot switch 24 inch from base

Specifications

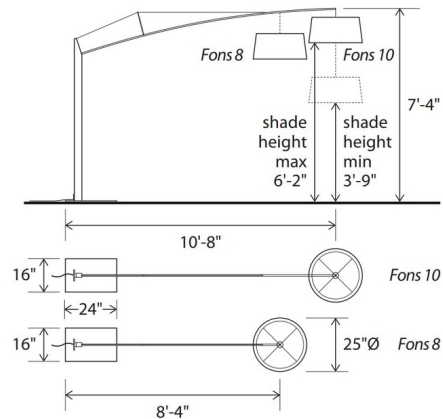
COLOR	White Linen
BODY FINISH	Brushed Aluminum
WATTAGE	13.5W
DIMMER	N/A
DIMENSIONS	96"W x 91"H x 19"D
BULB INCLUDED	1 x A19/Medium (E26)/13.5W/120V LED
COUNTRY OF ORIGIN	United States

Technical Information

PRODUCT DIMENSIONS	Adjustable Shade Height: 3 feet 9"-6 feet 2"
COLOR RENDERING	93 CRI
LAMP COLOR	2700K
LUMENS/WATT	59.26
LUMINOUS FLUX	800 lumens



Shown in brushed aluminum / white linen



CLICK TO VIEW PRODUCT

Notes: