



**BRAND**

Pilke Lights

**DESCRIPTION**

The Pilke Pendant was created by the industrial designer Tuukka Halonen. Pilke is a Finnish word that means twinkle. Pilke shades are constructed of identical interlocking parts and the repetition of plywood parts which creates a beautiful three dimensional, geometrically decorative light shade. Pilke is entirely made in Finland of birch plywood and assembled by local craftsmen. Available with a White stain, Black stain, or Natural birch diffuser.

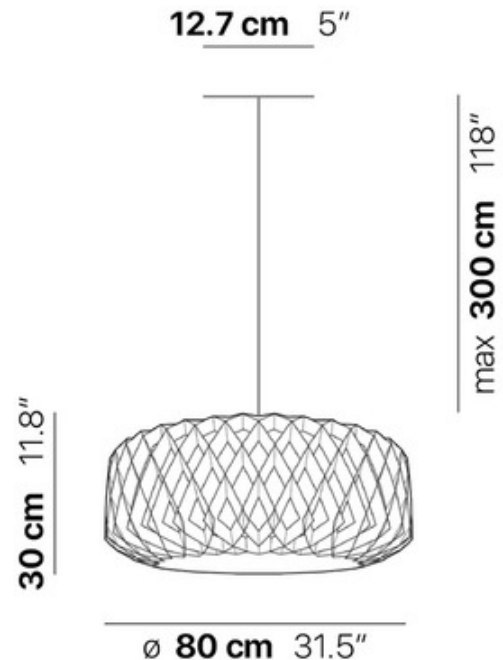


*Shown in: Black*

SHADE COLOR	N/A
BODY FINISH	Black
WATTAGE	15W
DIMMER	Standard 120V
DIMENSIONS	118"L x 31.5"W x 12"H
BULB NOT INCLUDED	
LAMP	1 x LED/Medium (E26)/15W/120V LED

SPEC #

SHW399800



COMPANY

PROJECT

FIXTURE TYPE

APPROVED BY

DATE