

Lightology

lightology.com
866-954-4489
06-04-26

Project: _____

Company: _____

Location: _____ Fixture Type: _____

SPEC #: **RAB401036**

Approved On: _____ Approved By: _____

Fineas Wall Light

By Robert Abbey

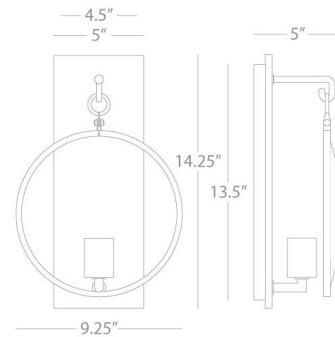


Description

The Fineas Wall Light offers a unique look with a seeded glass lens suspended from a hook in front of the light source. The alabaster backplate adds a luxurious material that will add a sophisticated touch to a hallway or living room. This fixture can be hardwired or installed with cord and plug. Includes 24 inch cord cover. UL listed.



Shown in aged brass / clear seeded



Specifications

COLOR	Clear Seeded
BODY FINISH	Aged Brass
WATTAGE	100W
DIMMER	Standard 120V
DIMENSIONS	9.25\"W x 14.25\"H x 5\"D
BULB NOT INCLUDED	1 x Edison/Medium (E26)/100W/120V Incandescent
COUNTRY OF ORIGIN	China



CLICK TO VIEW PRODUCT

Notes: